

Streamline 6003LED Mini Direct Wall Mount Downlight INTERIOR/EXTERIOR

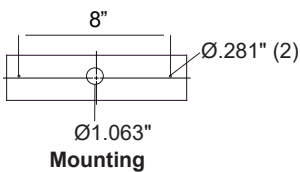
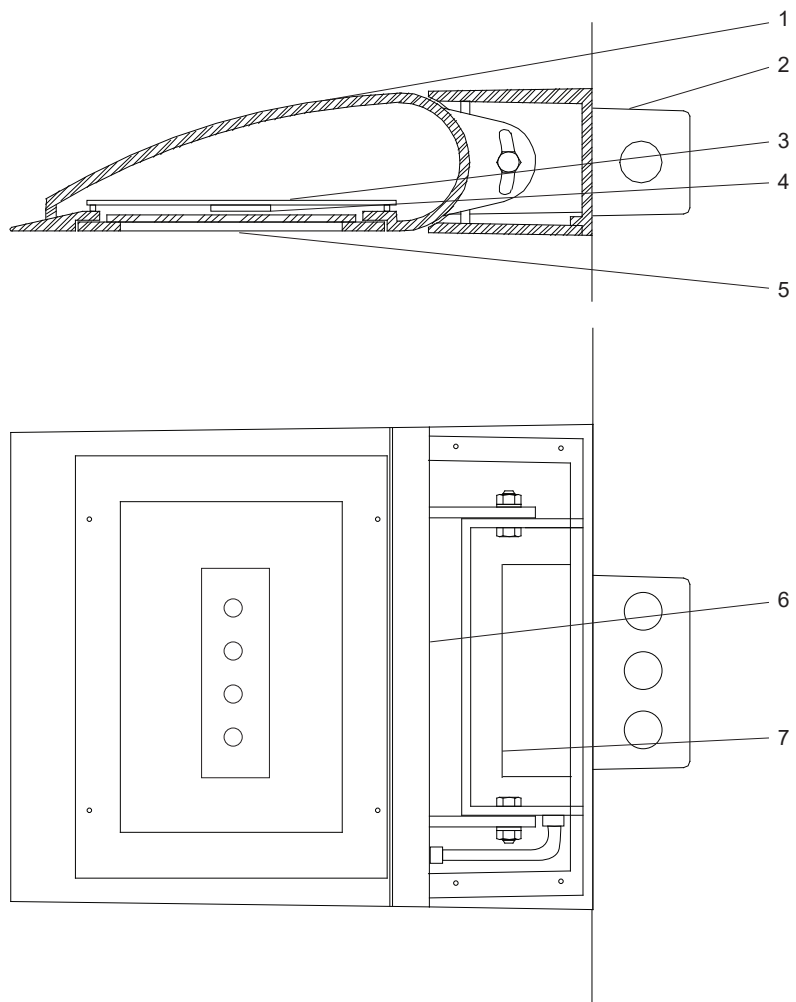
MODEL	WATTS	COLOR TEMPERATURE	VOLT	DISTRIBUTION	OPTIONS	COLOR
6003	32L <i>1 x 32 watts</i> <i>2500 lumens¹</i>	3K <i>3000K</i>	120*	T2 <i>type II distribution</i>	DIM <i>0 - 10 volt dimmable driver</i>	WT <i>white texture</i>
		35K <i>3500K</i>	208	T3 <i>type III distribution</i>		BT <i>black texture</i>
		4K <i>4000K</i>	240	T4 <i>type IV distribution</i>	SM <i>silver metallic</i>	
		5K <i>5000K</i>	277		AN <i>aluminum natural</i>	
						BZ <i>bronze</i>
					GM <i>gunmetal</i>	
					WS <i>white satin</i>	
					BM <i>black matte</i>	
					RAL <i>specify no.</i>	

*Standard configuration unless otherwise specified ¹Delivered lumens (4000K)

SAMPLE CATALOG NUMBER: 6003 - 32L - 4K - 120 - T2 - WT

Using this catalog number would order 1 model 6003 mini direct wall mount downlight with a 32 watt, 4000K light engine wired to 120 volts, with type 2 distribution, painted white texture polyester powder coat.

CONSTRUCTION	MOUNTING	OPTICAL	PROTECTION
<p>Materials Adjustable lamp housing: Cast aluminum. Driver enclosure: Cast aluminum with top cover plate. Lens: Solite, tempered glass in captive frame.</p> <p>Electrical Components Light engine: Aluminum core PCB each with 4 LEDs and Ledil Strata - SQ optics. Driver: High efficiency, <20% THD, >90% PF</p>	<p>The 6003LED series is designed for wall mounting over a recessed FS junction box which is located parallel to the luminaire back on the center line. The luminaire mounting plate is secured to the mounting surface outside of the FS box location and the luminaire is hooked on the plate and secured with set screws on the bottom. Silicone sealant is required in wet locations along back and down sides to keep moisture out of wiring compartment. Maximum fixture weight 11 lbs.</p>	<p>The 6003LED optical system is optimized to provide an asymmetric area light distribution with full cutoff classification.</p>	<p>The 6003LED is CSA/UL listed for use in wet locations.</p> <p>LEDs are rated for 50,000 hour life with lumen maintenance > 70% (L70).</p>



Streamline Direct 6003LED Detailed Product Description

- | | | | |
|---|---------------------------------------------------------|---|-------------------------------------------------------|
| 1 | LED Housing - Cast Aluminum | 5 | Glass - Solite, Tempered 5/32" Thick in Captive Frame |
| 2 | FS Box 2" x 4" Rectangle (By Others) Mount Horizontally | 6 | Driver Compartment - Cast Aluminum |
| 3 | Heatsink - .188" Aluminum | 7 | Driver - High Efficiency, <20% THD and <90% PF |
| 4 | Light Engine - 4 x LEDs with Optics | | |