

Figure 2

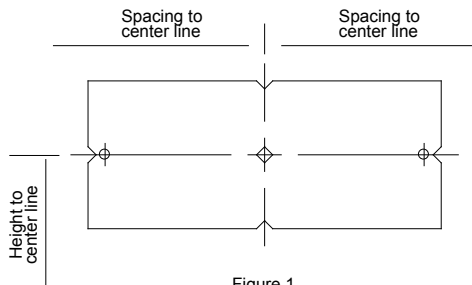
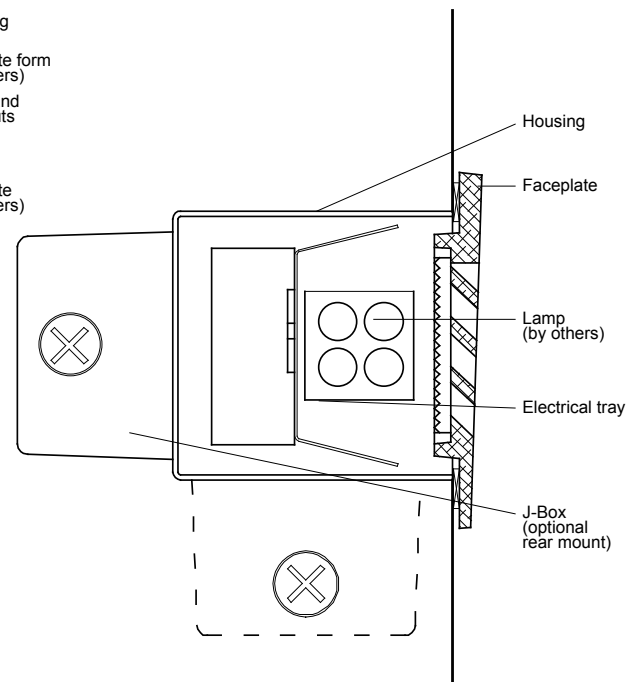


Figure 1



IMPORTANT

Disconnect power before installing fixtures. Read instructions before starting work. This product must be installed in accordance with the applicable installation code by a person familiar with the construction and operation of the product and the hazards involved.

Sightlines 1635 Series

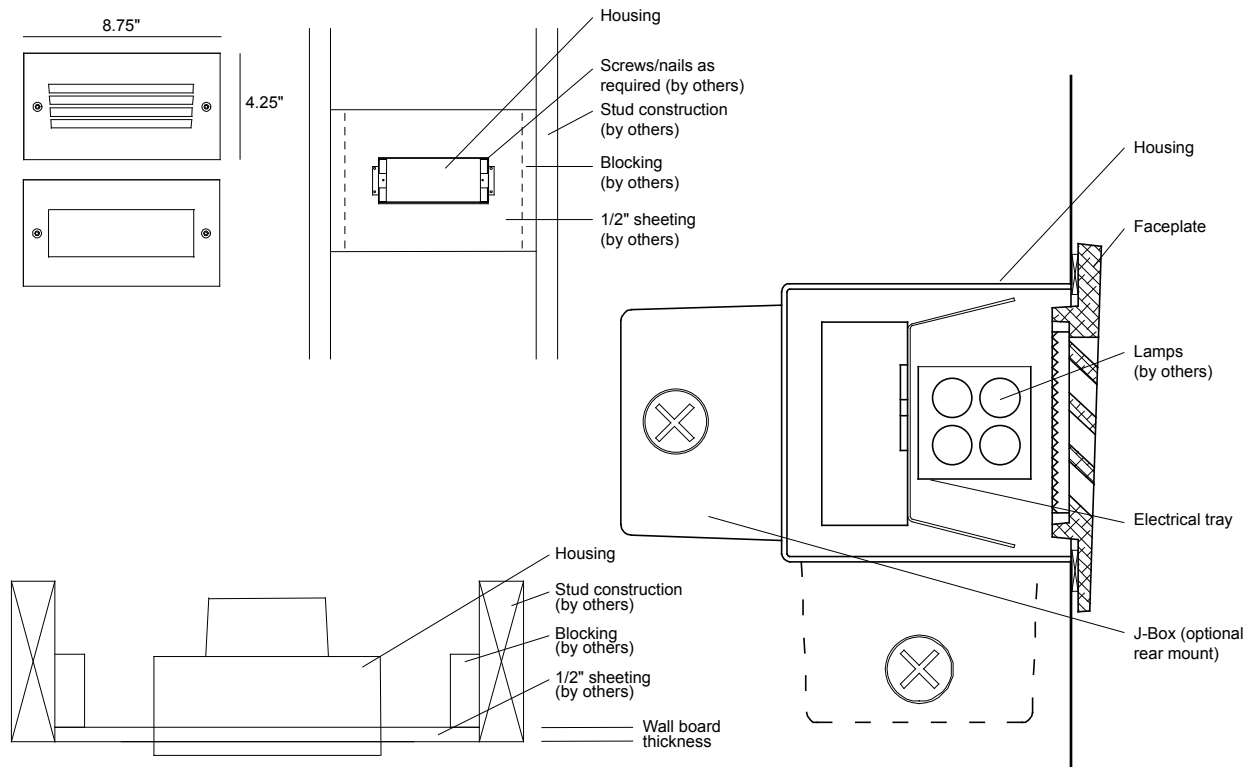
HOUSING INSTALLATION - CONCRETE POUR

- 1 Remove housing from shipping carton. Lay out center line of luminaire positions on concrete form. (Fig.1)
- 2 Position template (provided) over marked center line luminaire spacings (make sure template is level) drill 1/4" holes through form. (Fig.1)
- 3 Install housing on concrete side of form using 3" long studs and wing nuts (provided) . Ensure that j-box is properly oriented - J-Box on back or down position (fig.2) Check that unit is level.
- 4 If tile or other surface treatment is used the housing position must be adjusted to suit prior to pouring concrete.
- 5 Install 1/2" NPT conduit as required and pull supply circuit wires per applicable electrical codes.
- 6 Conduits must be sealed or plugged at all entry points as per applicable electrical code.
- 7 Remove wing nuts and studs after concrete is cured before the forms are stripped.

ELECTRICAL TRAY AND FACEPLATE INSTALLATION

- 1 Remove electrical tray from shipping carton.
- 2 Remove internal j-box cover from housing and pull out supply wires. Thread electrical white, black and ground leads through J-box cover and connect to appropriate supply leads.
- 3 Push all splices into j-box and re-attach cover plate.
- 4 Install electrical tray with screws provided and insert lamp as required.
- 5 Remove faceplate assembly from shipping carton.
- 6 Before continuing mounting surface must be smooth and flat to allow gasket to make good contact for a water tight seal.
- 7 Coat screws with white grease and install faceplate to housing anchor nuts.
- 8 Energize and test as required.

REV 06/28/10



IMPORTANT

Disconnect power before installing fixtures. Read instructions before starting work. This product must be installed in accordance with the applicable installation code by a person familiar with the construction and operation of the product and the hazards involved.

Sightlines 1635 Series

HOUSING INSTALLATION - HOLLOW WALL

- 1 Remove housing assembly from the shipping container.
- 2 Position housing in stud construction to keep at least 1/2" clearance around unit except at mounting points.
- 3 Make sure front edge of housing protrudes enough to be flush with finishing wall plane.
- 4 J-box should be either below unit or at the back. Not on top or sides.
- 5 Install supply wiring per applicable code requirements.

Notes:

These units are listed/certified as non-ic recessed units. They are meant to be installed with 1/2" space around the recessed housing, except at point of mounting contact. Insulation must be kept away from housing by a minimum of 3 inches. The ballasts are thermally protected to guard against misuse.

ELECTRICAL TRAY AND FACEPLATE INSTALLATION

- 1 Remove electrical tray from shipping carton.
- 2 Remove internal j-box cover from housing and pull out supply wires. Thread electrical white, black and ground leads through j-box cover and connect to appropriate supply leads.
- 3 Push all splices into j-box and re-attach cover plate.
- 4 Install electrical tray with screws provided and insert lamp as required.
- 5 Remove faceplate assembly from shipping carton.
- 6 Before continuing mounting surface must be smooth and flat to allow gasket to make good contact for a water tight seal.
- 7 Coat screws with white grease and install faceplate to housing anchor nuts.
- 8 Install faceplate to housing anchor nuts.
- 9 Energize and test as required.

REV 08/12/10