

IMPORTANT

Disconnect power before installing fixtures. Read instructions before starting work. This product must be installed in accordance with the applicable installation code by a person familiar with the construction and operation of the product and the hazards involved.

Sightlines 8000 Series

HOUSING INSTALLATION - NON IC

- 1 Remove housing assembly from shipping container. Make sure parts bag containing mounting bracket and hardware is available.
- 2 The mounting bracket accepts a variety of mounting rails. The #1287 adjustable bar hangers are useful for many installations but must be ordered separately.
- 3 Housing must be positioned in the required location and adjusted to position with the underside of the housing level with the underside of the finished ceiling.
- 4 The mounting bracket carriage bolts and wing nuts should be installed to allow vertical adjustment of the housing after the ceiling is in place.
- 5 Pull supply wiring into J-Box as per applicable electrical code requirements (90°C). J-Box box is suitable for branch circuit conductors (4 IN and 4 OUT).
- 6 If mounting is suspended T-Bar ceiling construction, the #1287 Bar Hangers can hook over the vertical leg of T-Bar and can be supported independently of the T-Bar ceiling.

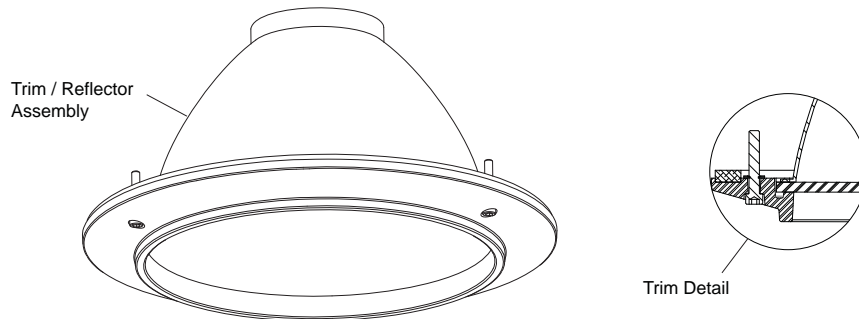
ELECTRICAL TRAY INSTALLATION

- 1 The electrical tray comes in two components, the heat sink with the LED module and the driver plate with the driver. A dedicated cable connects the module to the driver and preconnected set of wires in a sleeve connects the driver to the J-Box.
- 2 Install the heat sink / module by inserting it through the housing opening and attaching the heat sink with the screws provided.
- 3 The driver plate and driver need to mount to the housing angle with the module to driver cable connected and wire tied in place with the driver to J-Box cable routed and tied in place as well. The driver plate has keyhole slots to mate with screws in the housing angle.
- 4 Connect fixture leads to appropriate supply leads and insert into J-Box. Attach cover plate. Test.

Notes:

These units are listed/certified as non-ic recessed units. They are meant to be installed with 1/2" space around the recessed housing, except at point of mounting contact. Insulation must be kept away from housing by a minimum of 3".

VANDAL RESISTANT TRIM ASSEMBLY



IMPORTANT

Disconnect power before installing fixtures. Read instructions before starting work. This product must be installed in accordance with the applicable installation code by a person familiar with the construction and operation of the product and the hazards involved.

Sightlines 8000 Series

TRIM INSTALLATION

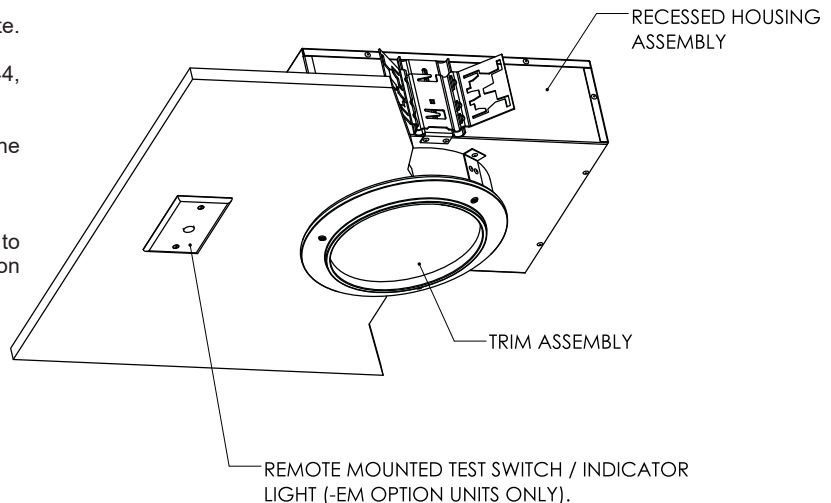
- 1 Trim assembly is separately packaged ready for installation once the finished ceiling is complete (finished opening should be 9" \varnothing .)
- 2 Trim is fully gasketed at lens and ceiling surface.
- 3 Trim has three #8 - 32 stainless cap screws (9/64" hex key) that are captivated to trim with Nylon washers. Screws thread into spring nuts on housing plaster ring.

EM OPTION INSTALLATION

For units supplied with the EM battery option: Rebelle supplies test switch and cover plate. Test switch has 24" 2/22 GA Black/Red Stranded CMP/CL2P UL Standard 13 and 444, NEC articles 725 and 800, white jacket.

Test switch should be mounted adjacent to the fixture, close to the junction box side of the luminaire.

For detailed battery information please refer to the emergency battery manufacturer installation instructions supplied with each luminaire.



REV 08/18/20