

Sightlines 1645LED Midi Step/Path Low Level Area Light

EXTERIOR

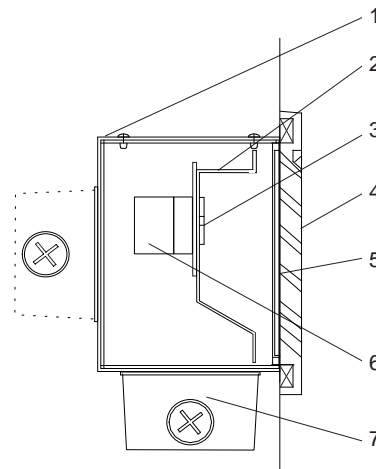
MODEL	LED	COLOR TEMPERATURE	VOLT	FACEPLATE	OPTIONS	COLOR
1645	15L	40* 4000K	120*	LV* louvered	FS fuse kit	WT white texture
		30 3000K	208	PR open	DIM dimming driver (0-10 volt)	BT black texture
	7L	20 x 0.30 watts	240		EM emergency battery	SM silver metallic
		825 lumens ¹	277			AN aluminum natural
						BZ bronze
						GM gunmetal
						WS white satin
						BM black matte
						RAL specify no.

*Standard configuration unless otherwise specified ¹ Source lumens

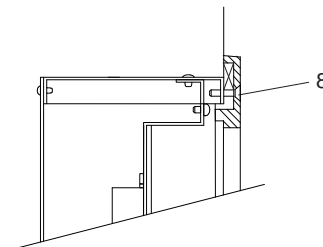
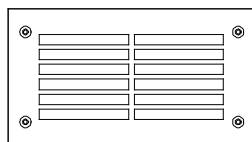
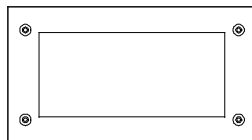
SAMPLE CATALOG NUMBER: 1645 - 15L - 40 - 120 - LV - WT

Using this catalog number would order 1 model 1645 low level area light with 40 x 0.28 watt LEDs with a color temperature of 4000K wired to 120 volts and a louvered faceplate painted with white texture polyester powder coat.

CONSTRUCTION	MOUNTING	OPTICAL	PROTECTION
<p>Materials Faceplate: Cast aluminum. Housing: .064" aluminum protected with high gloss white polyester powder coat. Reflector: High gloss white, formed aluminum. Lens: Prismatic polycarbonate. Junction box: Gasketed, die cast aluminum, bottom mounted (field adjustable to rear mount) suitable for through branch circuit conductors, suitable for 90°C. (3) - 1/2 NPT plugs, neoprene rubber gaskets.</p> <p>LED driver: constant current, 460mA (15L) or 500mA (7L). LED boards > 82 CRI.</p>	<p>The Sightlines 1645LED series is designed for concrete pour installations and hollow wall construction. Units are non IC rated so the insulation, if any, must be kept 3" away from the housing and the housing should have 1/2" clearance all around except at the mounting points/surface. See Installation Instructions on the Rebelle website for further details. Conduits must be sealed against water entry into the fixture housing as outlined in the National Electric Code.</p>	<p>The Sightlines 1645LED are designed to be mounted within 1' to 2' of the ground or floor level. The faceplate is provided in a louvered style to eliminate glare and provide illumination on paths, aisles and stairs. An open face with a prismatic glass lens is available for areas that require higher intensity levels. LED output is maximized with a reflector system. The reflector system is sealed against the ingress of water and other contaminants.</p>	<p>The Sightlines 1645LED series is listed for use in wet locations within four feet of the ground to CSA and UL standards. Conduit must be sealed to exclude water from entering the housing.</p>



Concrete Pour & Hollow Wall Applications



Sightlines 1645LED Detailed Product Description

- | | |
|--|---|
| <p>1 Housing .064" Aluminum Protected with White Polyester Powder Coat</p> <p>2 Reflector - High Gloss White - .036" Thick</p> <p>3 LED Module</p> <p>4 Cast Aluminum, Gasketed Face Plate</p> <p>5 Sealed Prismatic Polycarbonate Lens - .125" Thick or Prismatic Tempered Glass Lens "PR" Option</p> | <p>6 LED Driver - Constant Current IP66</p> <p>7 Junction Box - Suitable for 4 No. 12 AWG Through Branch Circuit Conductors Suitable for 90°C. (3) -1/2 NPT Plugs, Neoprene Rubber Gaskets, Bottom Mount Standard (Field adjustable to rear mount)</p> <p>8 (4) Stainless Steel, Cap Screws - Captive</p> |
|--|---|