

# Sightlines 2400SSLED Mini Step/Path Low Level Area Light EXTERIOR

MODEL	LED	COLOR TEMPERATURE	VOLT	FACEPLATE	OPTIONS	COLOR	
2400SS	7L	20 x 0.21 watts 600 lumens <sup>1</sup>	40*	4000K	120*	LV* slotted	SS <i>Stainless steel requires periodic maintenance to remove dirt and contaminants, similar to household stainless items.</i>
			30	3000K	277	PR open	

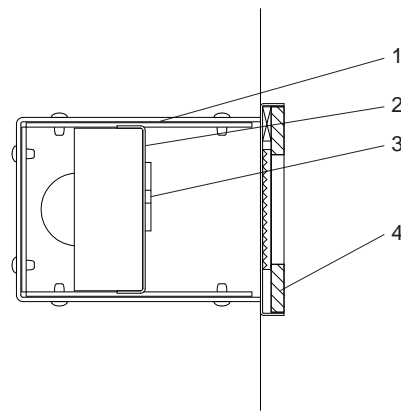
\*Standard configuration unless otherwise specified

<sup>1</sup> Source lumens

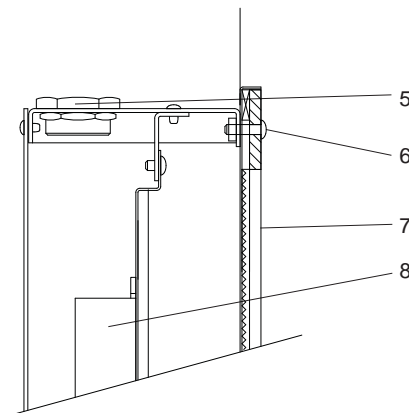
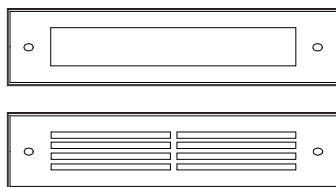
SAMPLE CATALOG NUMBER: 2400 - 7L - 40 - 120 - LV

Using this catalog number would order 1 model 2400SS low level area light with a slotted face and a 7.2 watt LED at 4000K wired to 120 volts and a stainless steel faceplate.

CONSTRUCTION	MOUNTING	OPTICAL	PROTECTION
<p>Materials Faceplate: Stainless steel, #4 brushed finish. Housing: .064" aluminum protected with high gloss white polyester powder coat. Reflector: High gloss white, formed aluminum. Lens: Open - Tempered, sealed prismatic glass. Louvered face: Prismatic polycarbonate. Suitable for through branch circuit conductors, suitable for 90°C. (2) - 1/2 NPT plugs, neoprene rubber gaskets.</p> <p>LED driver: Constant current 350mA. LED boards &gt; 82 CRI.</p>	<p>The Sightlines 2400SSLED series is designed for concrete pour installations and hollow wall construction. Units are non IC rated so the insulation, if any, must be kept 3" away from the housing and the housing should have 1/2" clearance all around except at the mounting points/surface. See Installation Instructions on the Rebelle website for further details. Conduits must be sealed against water entry into the fixture housing as outlined in the National Electric Code.</p>	<p>The Sightlines 2400SSLED units are offered with slotted or open faceplates. A white polyester powder coated reflector directs light output. Reflector is sealed behind faceplate assembly so that water and other contaminants are excluded.</p>	<p>The Sightlines 2400SSLED series is listed for use in wet locations within four feet of the ground to CSA and UL standards. Conduit must be sealed to exclude water from entering the housing.</p>



Concrete Pour & Hollow  
Wall Applications



## Sightlines 2400SSLED Detailed Product Description

- |  |   |
|--|---|
| <p>1 Housing .064" Aluminum Protected with White Polyester Powder Coat</p> <p>2 Reflector - High Gloss White - .036" Thick</p> <p>3 LED Module</p> <p>4 Stainless Steel, Gasketed Face Plate with Enclosure Trim</p> <p>5 1/2 NPT Plugs (2) - Suitable for 4 No. 12 AWG Through Branch Circuit Conductors Suitable for 90°C.</p> | <p>6 (2) Stainless Steel. Cap Screws - Captive</p> <p>7 Sealed Prismatic Polycarbonate Lens - .125" Thick or Tempered Prismatic Glass Lens "PR" Option</p> <p>8 LED Driver - Constant current</p> |
|--|---|