

Orchestra Circle 2756SLED Maxi Wall Sconce EXTERIOR/INTERIOR

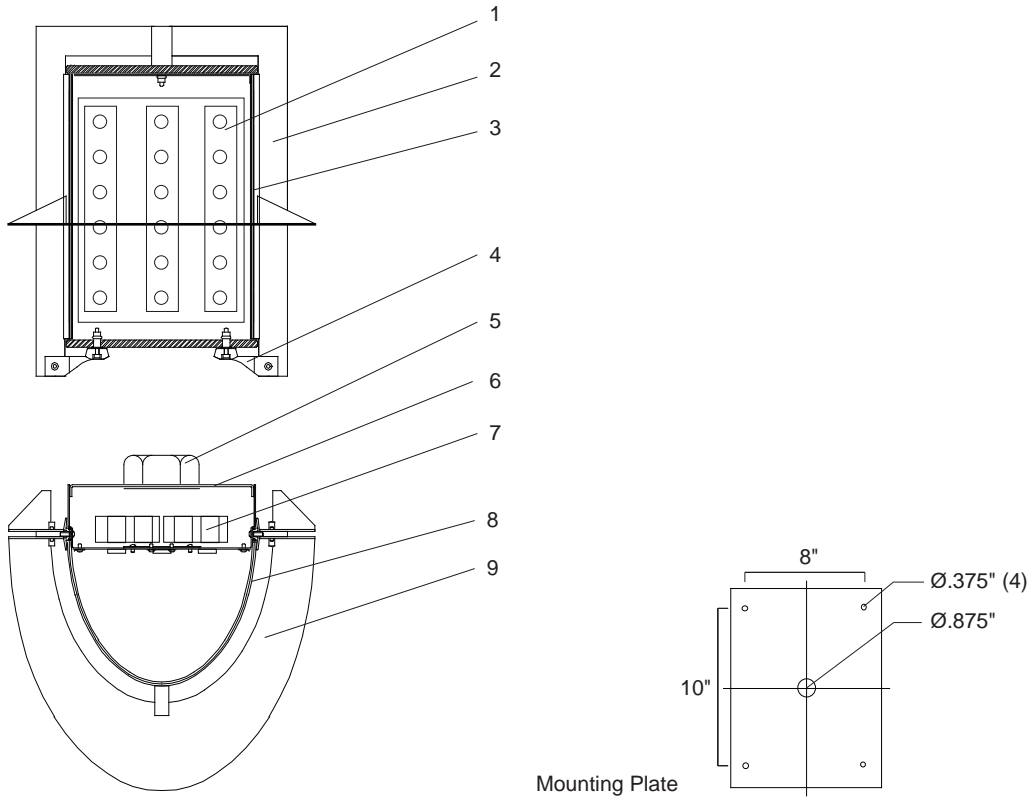
MODEL	LED	COLOR TEMPERATURE	VOLT	SHIELD	DIFFUSER	OPTIONS	COLOR
2756S	22L <i>LED module</i> <i>1800 lumens¹</i>	40 4000K	120*	PF <i>perforated liner</i>	RF* <i>frost</i>	DIM <i>dimming driver</i>	WT <i>white texture</i>
		35 3500K	208			EM <i>emergency battery</i>	BT <i>black texture</i>
		30 3000K	240				SM <i>silver metallic</i>
			277				AN <i>aluminum natural</i>
			347+				BZ <i>bronze</i>
						GM <i>gunmetal</i>	
						WS <i>white satin</i>	
						BM <i>black matte</i>	
						RAL <i>specify no.</i>	

*Standard configuration unless otherwise specified ¹Delivered lumens, 4000K +Consult factory

SAMPLE CATALOG NUMBER: 2756S - 22L - 40 - 120 - RF - WT

Using this catalog number would order 1 model 2756S maxi wall sconce with 18 watt 4000K temperature LED module wired to 120 volts with a frosted acrylic lens painted with white texture polyester powder coat.

CONSTRUCTION	MOUNTING	OPTICAL	PROTECTION
<p>Materials Support frame: Heavy aluminum plate. Hinge/Lock up: Pressure die cast aluminum. Reflector disk: Aluminum sheet, die formed. Diffusers (side): Thermo-formed acrylic. Bottom lens: Acrylic. Fasteners: Stainless steel.</p> <p>Integral Driver: Constant current, 350ma. LED module: >82CRI.</p>	<p>Designed for wall mounting over a 4" octagonal j-box. A heavy gauge mounting plate is attached to the j-box. Unit hooks on to the mounting plate and is secured with two stainless steel set screws. Silicone seal is required across the top of the housing and down each side to exclude moisture in exterior applications.</p>	<p>Frosted outer diffuser, available with or without perforated metal liner to provide for glare control. The reflector disk re-directs stray light and can be adjusted in the field to three positions - top, middle and bottom. Lumen multiplier 3500K - 0.925, 3000K - 0.896.</p>	<p>The Orchestra maxi wall sconce is listed for use in wet locations to UL and CSA Standards. (LOC 4, wall surface)</p> <p>LEDs are rated for 50,000 hour life with lumen maintenance >70% (L70).</p>



Orchestra Circle 2756SLED Detailed Product Description

- | | | | |
|---|------------------------------|---|---|
| 1 | LED Boards with Heat Sink | 6 | Mounting Plate .102" Aluminum |
| 2 | Frame Support .250" Aluminum | 7 | Driver - Constant Current |
| 3 | Acrylic Lens .375" Thick | 8 | Light Frost or Clear Acrylic Lens .125" Thick |
| 4 | Diecast Aluminum Lock Up | 9 | Reflector Disk .102" Aluminum (3 Position Adjustable) |
| 5 | J-Box (By Others) | | |