

# Orchestra Circle 2756TLED Maxi Streetscape Post Top EXTERIOR

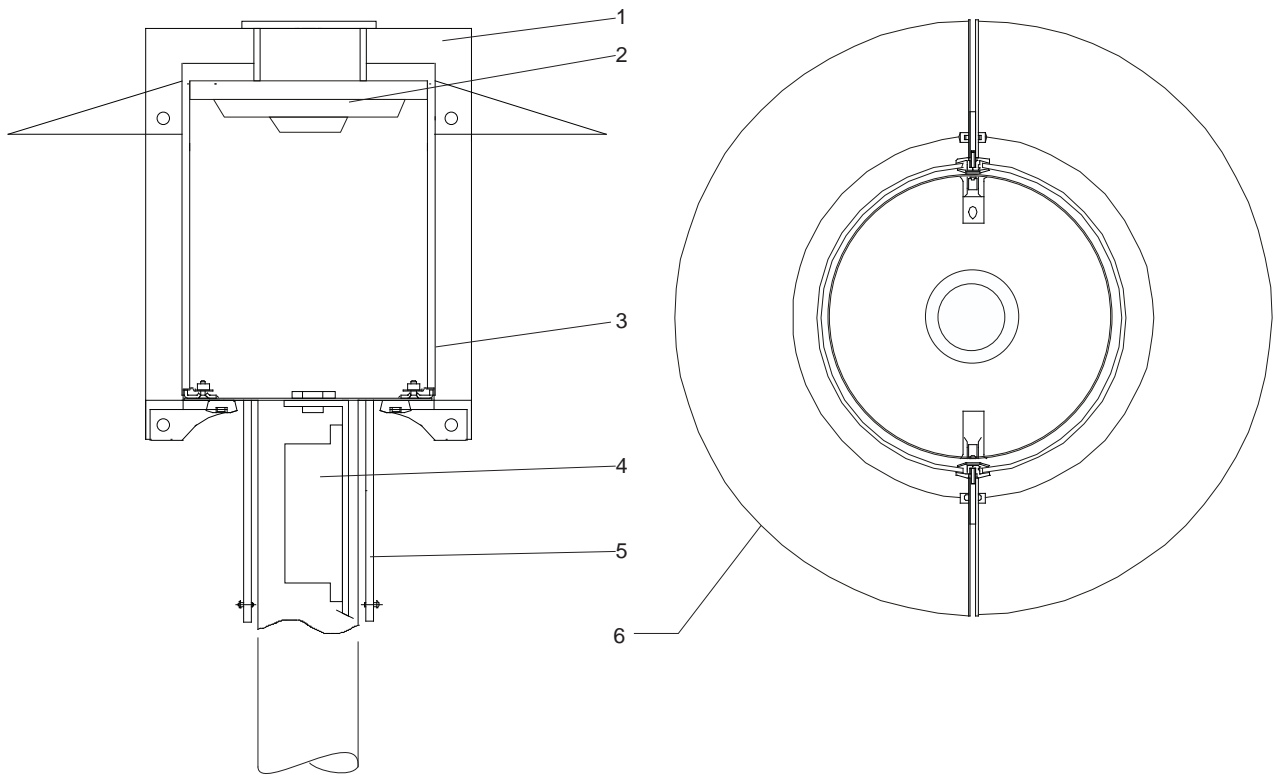
MODEL	LED		VOLT	SHIELD	DIFFUSER	OPTIONS	COLOR
	WATTS	COLOR TEMPERATURE					
2756T	32L	40	120*	PF <i>perforated liner</i>	RF* <i>frost</i>	DIM <i>dimming driver</i>	WT <i>white texture</i>
	2612 lumens*	4000K	208		CL <i>clear</i>	T2 <i>type II optic</i>	BT <i>black texture</i>
	32w LED/ 38w system	30	240		T3 <i>type III optic</i>	AN <i>aluminum natural</i>	
		35	277		90 <i>90 CRI</i>	BZ <i>bronze</i>	
		3500K	347+		GM <i>gunmetal</i>	WS <i>white satin</i>	
						BM <i>black matte</i>	
						RAL <i>specify no.</i>	

\*Standard configuration unless otherwise specified    \*Delivered lumens based on PF option and standard frost diffuser (4000K,80 CRI)    +Consult factory

SAMPLE CATALOG NUMBER: 2756T - 32L40 - 120 - RF - WT

Using this catalog number would order 1 model 2756T post top luminaire with a 4000K, 80 CRI LED light engine at 120 volts with frosted acrylic lens, painted with white texture polyester powder coat. Poles are supplied separately.

CONSTRUCTION	MOUNTING	OPTICAL	PROTECTION
<p><b>Materials</b> Support frame: Heavy aluminum plate. Hinge/Lock up: Pressure die cast aluminum. Reflector disks / Reflector / Lampholder cover: Aluminum sheet, die formed. Diffusers (side): Thermo-formed acrylic. Pole fitter: 4.5" OD x 12" long, aluminum. Bottom plate: Aluminum.</p> <p><b>Electrical Components</b> Driver: Constant current 900 mA, 84% efficiency. Light Engine: COB 1208 24mm x 20mm with a 15mm LES.</p>	<p>Unit is designed to fit a 4" OD, 1/8" wall pole with an inside diameter of 3.75" minimum. Three 1/4 - 20 stainless steel set screws lock the head to the pole.</p>	<p>Luminaire has a choice of frost or clear lens and diffuser, with frost supplied as standard. The perforated liner is supplied if specified. The reflector disk is fixed in top position. Standard optic, Type V square (130°).</p>	<p>The Orchestra maxi post top is listed for use in wet locations to UL and CSA Standards. (LOC 6) Windloading EPA = 1.35 Sq. Ft. IP54 Rated ingress protection.</p> <p>LEDs are rated for 50,000 hour life with lumen maintenance &gt;70% (L70).</p>



## Orchestra Circle 2756TLED Detailed Product Description

- |   |                                                    |   |                                                         |
|---|----------------------------------------------------|---|---------------------------------------------------------|
| 1 | .250" Aluminum Frame Support                       | 4 | Driver - 900 mA                                         |
| 2 | LED Light Engine with Silicone Optic and Heat Sink | 5 | Pole Fitter 4.5" OD x 12" Long                          |
| 3 | .125" Acrylic Lens                                 | 6 | Reflector Disk .102" Aluminum<br>(Fixed - Top Position) |