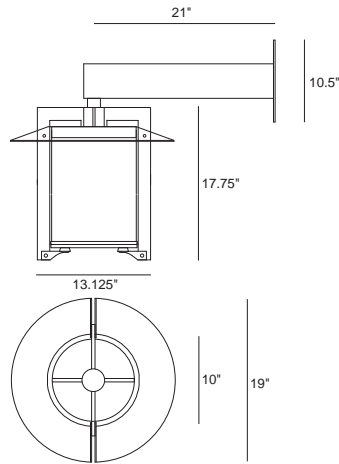




HID model shown, glare band and center disk not available in LED model.



# Orchestra Circle 2756WLED Maxi Wall Arm Mount EXTERIOR

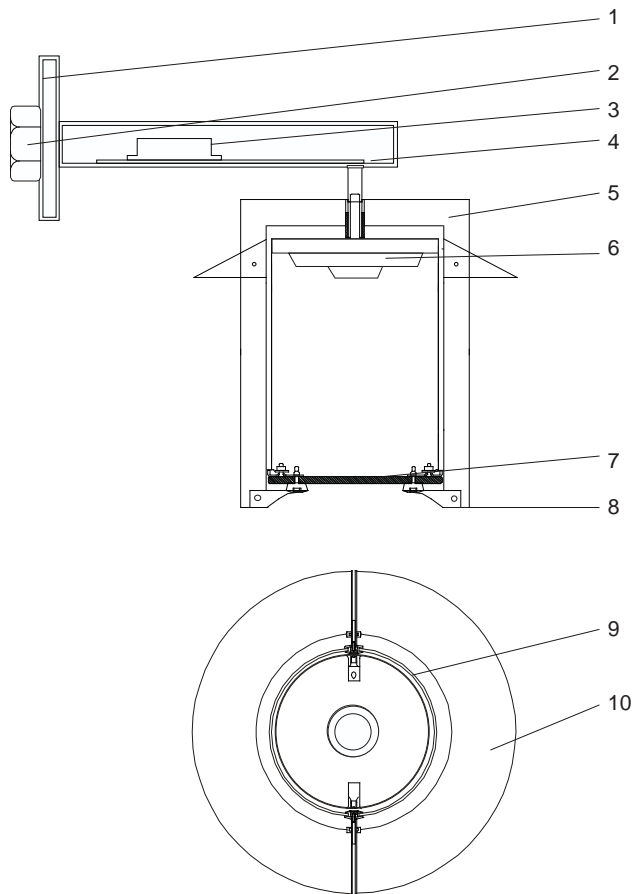
MODEL	LED		VOLT	SHIELD	DIFFUSER	OPTIONS	COLOR
	WATTS	COLOR TEMPERATURE					
2756W	32L	40	120*	PF <i>perforated liner</i>	RF* <i>frost</i>	DIM <i>dimming driver</i>	WT <i>white texture</i>
	2612 lumens <sup>1</sup>	4000K	208		CL <i>clear</i>	T2 <i>type II optic</i>	BT <i>black texture</i>
	32W led/38W system	30	240			T3 <i>type III optic</i>	SM <i>silver metallic</i>
		35	277			90 <i>90 CRI</i>	AN <i>aluminum natural</i>
		3500K	347+			BZ <i>bronze</i>	
						GM <i>gunmetal</i>	
						WS <i>white satin</i>	
						BM <i>black matte</i>	
						RAL <i>specify no.</i>	

\*Standard configuration unless otherwise specified <sup>1</sup>Delivered lumens based on PF option and standard frost diffuser (4000K, 80 CRI) +Consult factory

SAMPLE CATALOG NUMBER: 2756W - 32L40 - 120 - RF - WT

Using this catalog number would order 1 model 2756W maxi circle wall arm mount luminaire with 4000K, 80 CRI LED light engine at 120 volts with frosted acrylic lens, painted with white texture polyester powder coat.

CONSTRUCTION	MOUNTING	OPTICAL	PROTECTION
<p>Materials</p> <p>Support Frame: Heavy aluminum plate. Arm assembly: Rectangular extruded aluminum. Hinge/Lock up: Pressure die cast aluminum. Glare guard / Wall canopy / Reflector disk: Aluminum sheet, die formed. Diffusers (side): Thermo-formed acrylic. Bottom lens: Acrylic. Fasteners: Stainless steel.</p> <p>Electrical Components</p> <p>Driver: Constant current 900 mA, 84% efficiency. Light engine: COB 1208 24mm x 20mm with a 15mm LES.</p>	<p>Luminaire is designed for mounting over a recessed 4" octagon j-box (by others). Holes (4) are provided in wall plate to attach to the wall outside of the j-box. Adequate backing is required inside the wall to support these fixtures. Arm assembly is shipped separately from the head for field attachment.</p>	<p>Luminaire has a choice of frost or clear lens and diffuser, with frost supplied as standard. The perforated liner is supplied if specified. The reflector disk is fixed in top position. Standard optic, Type V square (130°).</p>	<p>The Orchestra maxi wall arm mount is listed for use in wet locations to UL and CSA Standards. (LOC 4, wall mount)</p> <p>LEDs are rated for 50,000 hour life with lumen maintenance &gt;70% (L70).</p>



## Orchestra Circle 2756WLED Detailed Product Description

- |   |  |    |   |
|---|--|----|---|
| 1 | Wall Plate .188" Aluminum                          | 7  | .125" Acrylic Lens                                      |
| 2 | 4" Octagon J-Box (By Others)                       | 8  | Diecast Aluminum Lock Up                                |
| 3 | Driver - 900 mA, Integrally Mounted in Arm         | 9  | Acrylic Cylinder (.125" Thick)                          |
| 4 | Mounting Arm Bracket 2.0" x 4.0" x .125" Aluminum  | 10 | Reflector Disk .102" Aluminum<br>(Fixed - Top Position) |
| 5 | Frame Support .250" Aluminum                       |    |   |
| 6 | LED Light Engine with Silicone Optic and Heat Sink |    |   |