

Orchestra Circle 2757SLED Mini Wall Sconce INTERIOR/EXTERIOR

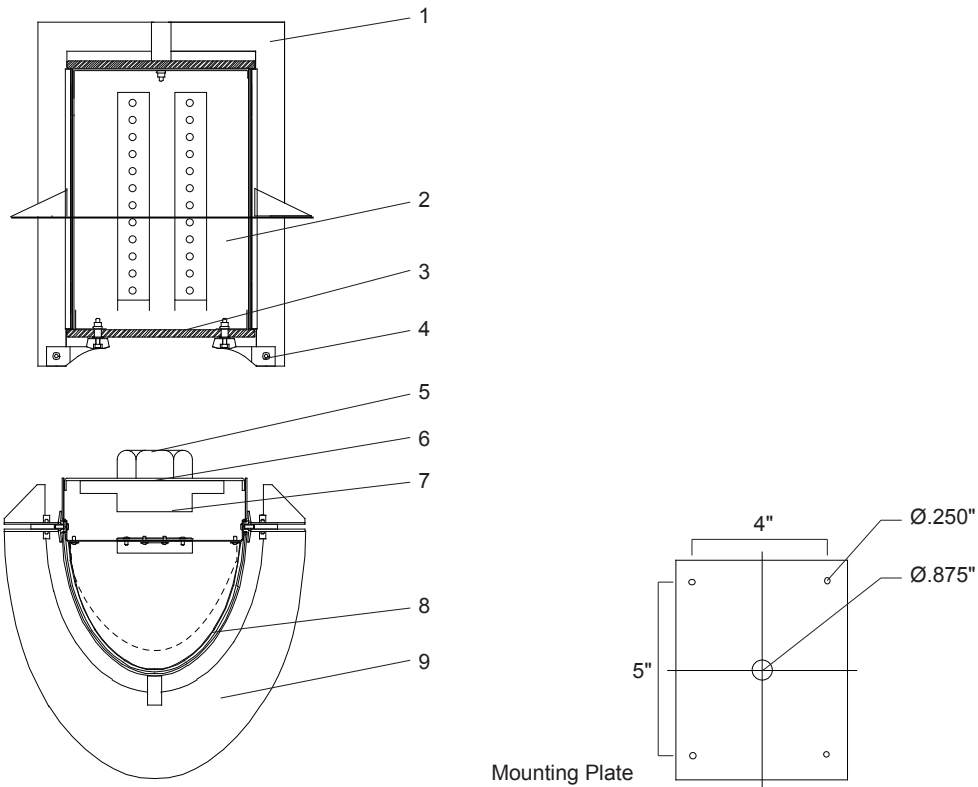
MODEL	LED	COLOR TEMPERATURE	VOLT	SHIELD	DIFFUSER	OPTIONS	COLOUR
2757S	7L <i>LED module</i> 650 Lumens ¹	40* <i>4000K</i> <i>Lumen Multiplier 1.000</i>	120*	PF <i>perforated liner</i>	RF* <i>frost</i>	WL <i>wet location listing</i>	WT <i>white texture</i>
		30 <i>3000K</i> <i>Lumen Multiplier 0.896</i>	208			DIM <i>dimming driver</i>	BT <i>black texture</i>
		35 <i>3500K</i> <i>Lumen Multiplier 0.925</i>	240				SM <i>silver metallic</i>
			277				AN <i>aluminum natural</i>
			347				BZ <i>bronze</i>
						GM <i>gunmetal</i>	
						WS <i>white satin</i>	
						BM <i>black matte</i>	
						RAL <i>specify no.</i>	

*Standard configuration unless otherwise specified ¹Delivered +Consult factory

SAMPLE CATALOG NUMBER: 2757S - 7L - 40 - 120 - RF - WT

Using this catalog number would order 1 model 2757S mini wall sconce with a 7 watt LED module with a color temperature of 4000K wired to 120 volts with frosted acrylic lens painted with white texture polyester powder coat.

CONSTRUCTION	MOUNTING	OPTICAL	PROTECTION
<p>Materials</p> <p>Support frame: Heavy aluminum plate. Hinge/Lock up: Pressure die cast aluminum. Housing assembly / Reflector disk: Aluminum sheet, die formed. Diffusers (side): Thermo-formed acrylic. Bottom lens: Acrylic. Fasteners: Stainless steel. Mounting plate: Galvanized steel.</p> <p>Integral Driver: Constant current 350 mA LEDs: > 82 CRI on a MCB with thermal interface to housing heat sink.</p>	<p>Designed for wall mounting over a recessed 4" octagonal j-box. A heavy gauge mounting plate is attached to the j-box. Unit hooks on to the mounting plate and is secured with two stainless steel set screws. Silicone seal is required across the top of the housing and down each side to exclude moisture in exterior applications.</p>	<p>Frosted outer diffuser, with or without perforated metal liner to provide glare control. The reflector disk is field adjustable to three positions- top, middle and bottom.</p>	<p>The Orchestra mini wall sconce is listed for use in damp locations to UL and CSA Standards. An optional wet location label can be provided. (LOC 4, wall surface)</p> <p>LEDs are rated for 50,000 hour life with lumen maintenance >70% (L70).</p>



Orchestra Circle 2757SLED Detailed Product Description

- | | |
|---|--|
| <p>1 Frame Support .250" Aluminum</p> <p>2 LED Modules</p> <p>3 Acrylic Lens .375" Thick</p> <p>4 Diecast Aluminum Lock Up</p> <p>5 J-Box (By Others)</p> <p>6 Sub Mounting Plate .063" Zinc Coated Steel</p> | <p>7 Driver - Constant Current 350 mA</p> <p>8 Light Frost Acrylic Lens .125" Thick</p> <p>9 Reflector Disk .081" Aluminum (3 Position Adjustable)</p> |
|---|--|