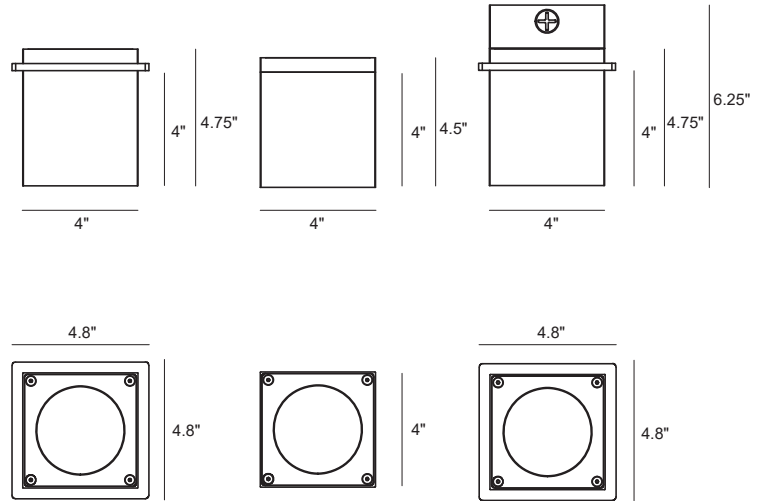




Luminaire shown with optional accent plate



Tessera 3121LED Surface Ceiling Mount

INTERIOR/EXTERIOR

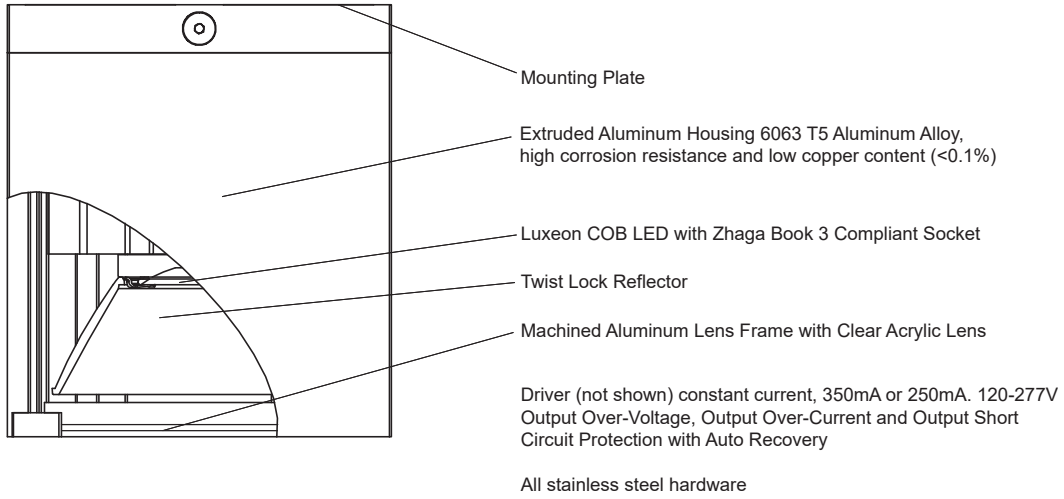
MODEL	LED MODULE	COLOR TEMPERATURE	VOLT	DISTRIBUTION	OPTIONS	COLOR
3121	12L <i>1 x 12 watts¹ 1279 lumens²</i>	40* 4000K	120*	SP 19° spot	90 90 CRI	WT white texture
		35 3500K	208	FL 30° flood	DIM dimming (0-10V)	BT black texture
	30 3000K	240	WFL 45° wide flood	1 painted accent plate	SM silver metallic	
	27 2700K	277	VWFL 94° very wide flood	3 stainless steel accent plate	AN aluminum natural	
					SC surface wiring conduit feed canopy	BZ bronze
					SC1 surface wiring canopy	GM gunmetal
					CP() ceiling plate (specify 6, 8 or 10")	WS white satin
					NAT natatorium construction	BM black matte
						RAL specify no.

*Standard configuration unless otherwise specified ¹Nominal LED Power ²Delivered lumens (4000K, 80CRI)

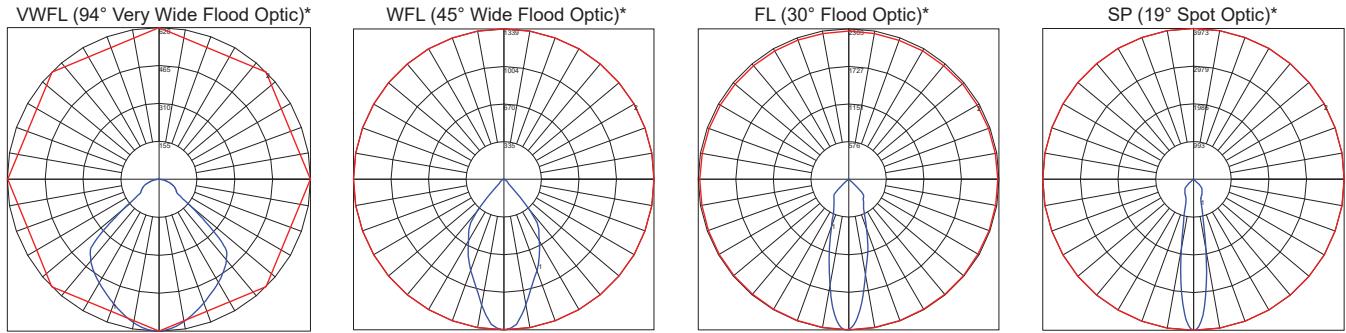
SAMPLE CATALOG NUMBER: 3121 - 12L - 40 - 120 - SP - 1 - WT

Using this catalog number would order 1 model 3121 ceiling mount luminaire using spot optics and a 12 watt LED module with a color temperature of 4000K wired to 120 volts with a decorative accent plate painted to match the luminaire in white texture polyester powder coat.

CONSTRUCTION	MOUNTING	OPTICAL	PROTECTION
<p>Materials All aluminum construction, stainless steel tamper resistant hardware, acrylic lens.</p> <p>Electrical Components Constant current driver 350mA or 250mA, Luxeon COB LED with Zhaga compliant socket. 80 CRI standard. Optional dimming driver compatible with IEC60929:2006 0-10V ballast controls.</p>	<p>The 3121LED series is designed for ceiling mounting. The LED driver is integrally fixed to a mounting plate and designed to fit into a 4" octagon j-box (by others). The LED driver supplied with the fixture uses 4.5 cubic inches of J-Box volume. A suitable J-Box example is 15 cubic inch capacity Iberville 54151 (not included). Optional surface wiring canopy suitable for 1/2" conduit feed (no j-box required). Optional ceiling plate available to cover mounting surface, 6, 8 or 10" square. For outdoor applications silicone seal is required. Maximum fixture weight is 4 lbs.</p>	<p>The 3121LED luminaire uses Chip-on-Board technology with Zhaga Book 3 compliant socket, field changeable high efficiency twist lock reflectors and clear acrylic lens.</p>	<p>The 3121LED series is listed for use in wet locations to UL and CSA Standards, covered ceiling mount only. Reported L70 (10k) > 55,000 hours per TM-21. Calculated L70 >100,000 hours at 45°C ambient. IP65 rated.</p>



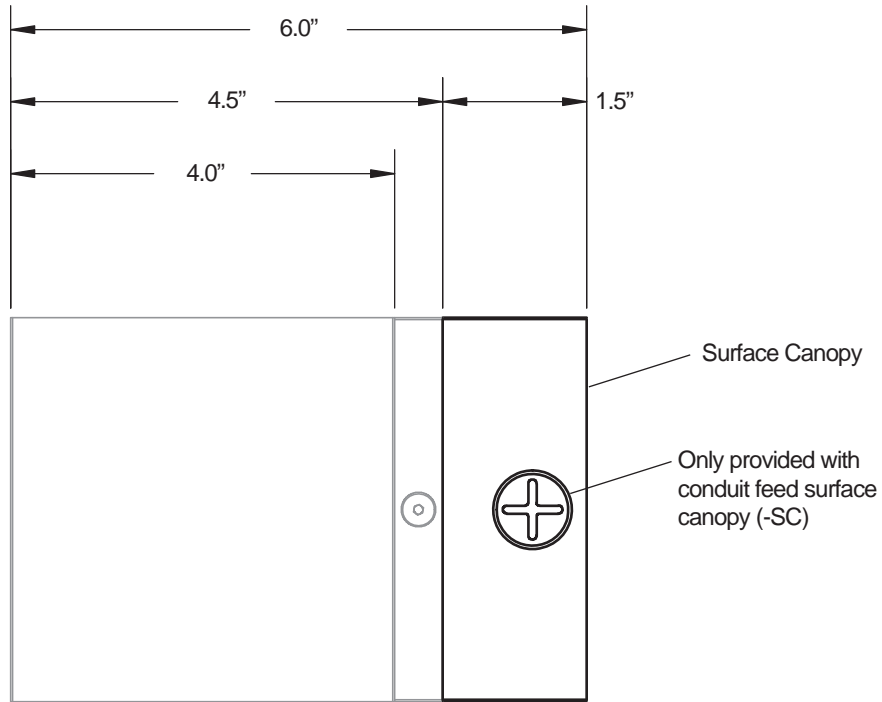
Tessera 3121LED



*Based on 3121-12L

Product	CCT	CRI	Delivered Lumens	Nominal LED Power	System Power	Lumens per Watt*
3121-12L	4000	80	1219	12 watts	13.63 watts	89.4
3121-9L	4000	80	930	9 watts	9.64 watts	96.5
Lumen Multipliers		3500K - 0.962	3000K - 0.944	2700K - 0.923	90 CRI - 0.842	

*Based on system power.



Tessera Surface Canopy Option (For Use with 3100, 3101, 3103, 3121)

