

Saturna 4006LED Mini Post Arm Landscape Shepherd's Hook EXTERIOR

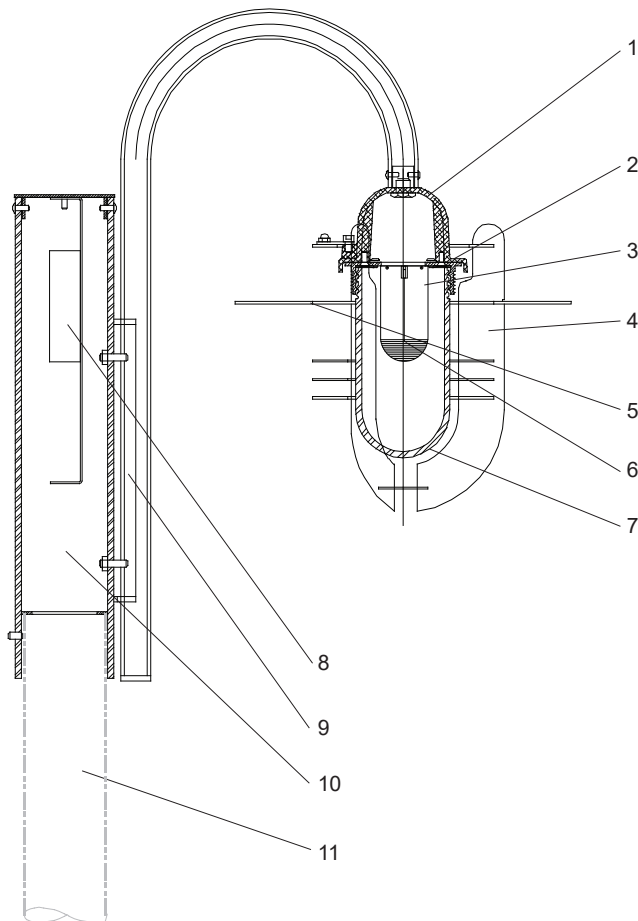
MODEL	LED	COLOR TEMPERATURE	VOLT	LENS	COLOUR
4006	1x16L <i>LED module</i> <small>16 watt</small>	40* <i>4000K</i> <small>1700 lumens¹</small>	120* 208 240 277 347	RF* <i>frost</i>	WT <i>white texture</i> BT <i>black texture</i> SM <i>silver metallic</i> AN <i>aluminum natural</i> BZ <i>bronze</i> GM <i>gunmetal</i> WS <i>white satin</i> BM <i>black matte</i> RAL <i>specify no.</i>

*Standard configuration unless otherwise specified ¹Delivered lumens (4000K, 80 CRI)

SAMPLE CATALOG NUMBER: 4006 - 1x16L - 40 - 120 - RF - WT

Using this catalog number would order 1 model 4006 post arm luminaire with a 16 watt, 4000K, 1700 lumen light engine wired to 120 volts, with a frosted glass globe and painted white texture. Poles are supplied separately.

CONSTRUCTION	MOUNTING	OPTICAL	PROTECTION
<p>Materials Housing: Cast aluminum. Gasket: EPDM rubber. Strut assembly: Aluminum sheet, keyholed removal. Reflector disks: Aluminum sheet. Lens/diffuser: Threaded, tempered glass. Shepherd's hook arm: Aluminum tube. Post top slip fitter: 3.5" aluminum tube.</p> <p>LED Components Driver: Constant current, 450mA. Light Engine: Chip-on-Board 13mm LES, Zhaga Book 3 Compliant Socket</p>	<p>The Saturna 4006 luminaire is designed to slip fit a 3" OD pole or tenon (2.875" ID minimum). Top cap is removable for driver access. Stainless steel set screws lock head to pole.</p>	<p>Standard threaded frosted globe. Strut and disk assembly shield light source. Top reflector disk controls upward light.</p>	<p>The Saturna mini post arm luminaire is listed for use in wet locations to UL and CSA Standards. Windloading EPA = 0.80 Sq. Ft. LED life: 50,000 hours minimum, L70 @25°C.</p>



Saturna 4006LED Detailed Product Description

- | | | | |
|---|---|----|---|
| 1 | Housing - Cast Aluminum | 7 | Lens/Diffuser - Frosted Glass Threaded - Tempered |
| 2 | Gasket - E.P.D.M Rubber | 8 | Driver - 450mA, 120-277 Volt Input |
| 3 | Heatsink | 9 | Shepherd's Hook Arm 1 1/16" x 1/8" Wall Aluminum Tube |
| 4 | Strut Assembly - Keyholed Removal .102" Aluminum | 10 | Post Top Slip Fitter 3.5" Aluminum Tube |
| 5 | Reflector Disks - .102" Aluminum | 11 | Pole (Not Included - Order Separately) Ø3.0" |
| 6 | Chip-on-Board 13mm LES, Zhaga Book 3 Compliant Socket | | |