

Streamline 6004LED Midi Direct Wall Mount

EXTERIOR

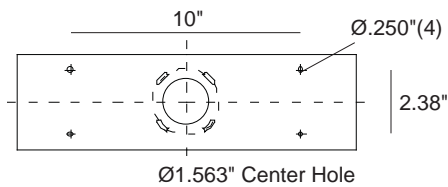
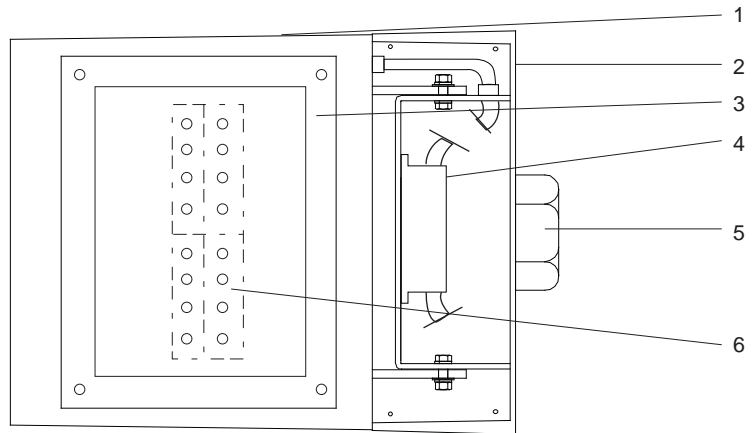
MODEL	WATTS	COLOR TEMPERATURE	VOLT	DISTRIBUTION	OPTIONS	COLOR
6004	134L <i>1 x 134 watts 12,400 lumens¹</i>	3K <i>3000K</i>	120*	T2 <i>type II distribution</i>	DIM <i>0 - 10 volt dimmable driver</i>	WT <i>white texture</i>
		35K <i>3500K</i>	208	T3 <i>type III distribution</i>		BT <i>black texture</i>
	101L <i>1 x 101 watts 9,300 lumens¹</i>	4K <i>4000K</i>	240	T4 <i>type IV distribution</i>		SM <i>silver metallic</i>
		5K <i>5000K</i>	277			AN <i>aluminum natural</i>
			347+			
						GM <i>gunmetal</i>
						WS <i>white satin</i>
						BM <i>black matte</i>
						RAL <i>specify no.</i>

*Standard configuration unless otherwise specified +Consult factory ¹Delivered lumens (4000K)

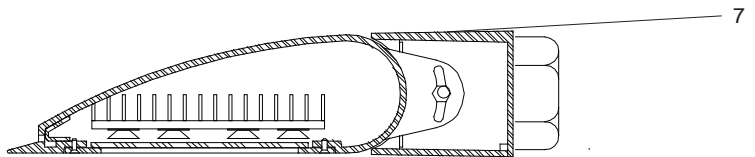
SAMPLE CATALOG NUMBER: 6004LED - 134L - 4K - 120 - T2 - WT

Using this catalog number would order 1 model 6004LED midi direct wall mount luminaire with a 134 watt, 4000K light engine with type II distribution, wired to 120 volts, painted white texture polyester powder coat.

CONSTRUCTION	MOUNTING	OPTICAL	PROTECTION
<p>Materials Adjustable lamp housing: Cast aluminum. Driver enclosure: Cast aluminum with top cover plate. Light engine enclosure: Cast aluminum sealed to lens frame. Lens: Clear, tempered glass in cast aluminum gasketed frame.</p> <p>Electrical Components Light engine: Aluminum core PCB each with 4 Luxeon 'M' emitters and Ledil Strata - SQ optics. Driver: High efficiency, <20% THD, >90% PF</p>	<p>The 6004LED series is designed for wall mounting over a 4" octagonal j-box. A heavy gauge mounting plate attaches to the wall surface. Head hooks on to the mounting plate and locks in place with two stainless steel set screws. Silicone seal is required along the top of the driver compartment and down sides to exclude moisture from entering driver compartment. Maximum fixture weight is 32 lbs.</p>	<p>The 6004LED optical system is type II, III or IV with a full cutoff classification.</p>	<p>The 6004LED is listed for use in wet locations to UL and CSA standards.</p> <p>LEDs are rated for 50,000 hour life with lumen maintenance > 70% (L70).</p>



Mounting Plate



Streamline Direct 6004LED Detailed Product Description

- | | | | |
|---|---|---|---|
| 1 | Adjustable Lamp Housing - Cast Aluminum | 5 | Recessed 4" Octagon J-Box (By Others) |
| 2 | Driver Enclosure - Cast Aluminum with Top Cover Plate | 6 | LED Boards 4 x Luxeon 'M' Emitters Each |
| 3 | Enclosed LED Glass Frame and Heat Sink Assembly | 7 | Housing Assembly |
| 4 | Driver | | |