

Streamline 6010LED Midi Indirect Ceiling Wash

INTERIOR

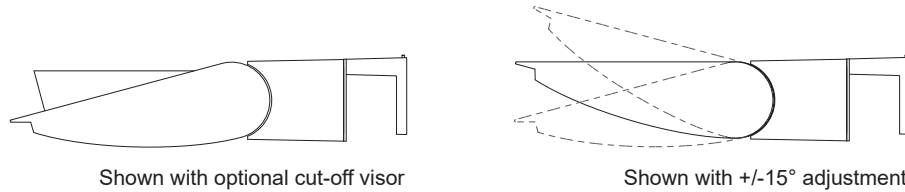
MODEL	WATTS	COLOR TEMPERATURE	VOLT	OPTIONS	COLOR
6010	134L <i>1 x 134 watts</i> <i>10500 lumens¹</i>	3K <i>3000K</i>	120*	WL <i>wet location</i>	WT <i>white texture</i>
		35K <i>3500K</i>	208	CV <i>cut off visor for downward tilt</i>	BT <i>black texture</i>
	101L <i>1 x 101 watts</i> <i>7900 lumens¹</i>	4K <i>4000K</i>	240	DIM <i>dimming driver 0 - 10V control</i>	SM <i>silver metallic</i>
		5K <i>5000K</i>	277	NAT <i>natatorium construction</i>	AN <i>aluminum natural</i>
				GM <i>gunmetal</i>	
					WS <i>white satin</i>
					BM <i>black matte</i>
					RAL <i>specify no.</i>

*Standard configuration unless otherwise specified ¹Delivered lumens (4000K)

SAMPLE CATALOG NUMBER: 6010 - 134L - 4K - 120 - WT

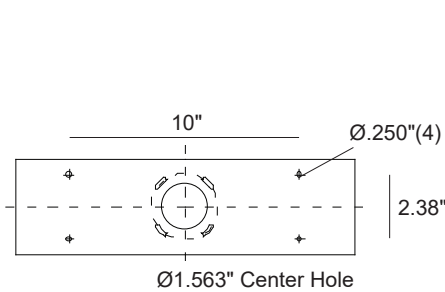
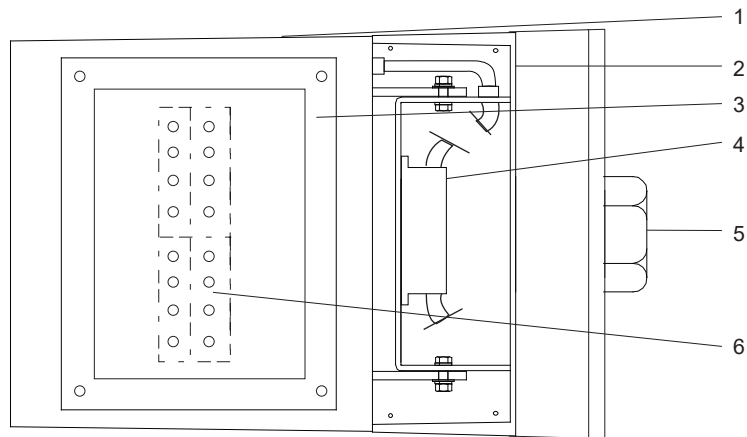
Using this catalog number would order 1 model 6010 midi indirect ceiling wash luminaire with 134 watt, 4000K light engine wired to 120 volts, painted white texture polyester powder coat.

CONSTRUCTION	MOUNTING	OPTICAL	PROTECTION
<p>Materials Adjustable lamp housing: Cast aluminum. Driver enclosure: Cast aluminum with top cover plate. Lens: Clear, tempered glass in captive cast aluminum gasketed frame. Cantilever support arm: Cast aluminum.</p> <p>Electrical Components Light engine: Aluminum core PCB each with 4 LEDs and Ledil Strata - SQ optics. Driver: High efficiency, <20% THD, >90% PF</p>	<p>The 6010LED series is designed for wall mounting over a recessed j-box. Wall must have sufficient strength to support luminaire. The mounting plate is secured to wall and the luminaire is hooked on to the plate and locked in place with set screws. Maximum fixture weight 42 lbs.</p>	<p>The 6010LED optical system is optimized to provide an asymmetric indirect distribution. Head is adjustable (+/- 15°) to customize aiming upon installation, if required.</p>	<p>The 6010LED is normally provided for indoor dry or damp locations to UL and CSA standards but, if ordered, can be made suitable for wet locations to UL and CSA standards. (LOC 4 > 4 FEET)</p> <p>All units have a protective, tempered, glass shield to protect the LED compartment. The wet location units are totally sealed for wet location usage (IP65).</p> <p>LEDs are rated for 50,000 hour life with lumen maintenance > 70% (L70).</p>

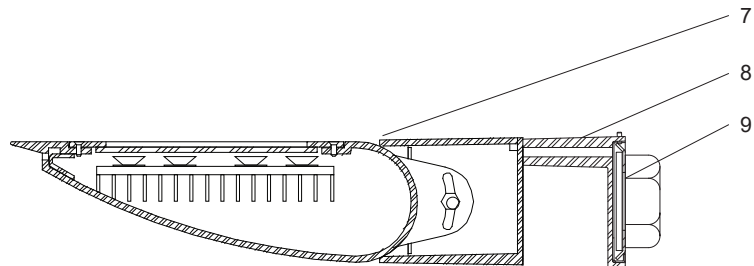


Shown with optional cut-off visor

Shown with +/-15° adjustment



Mounting Plate



Streamline Indirect 6010LED Detailed Product Description

- | | |
|---|--|
| 1 Adjustable Lamp Housing (+/-15°) - Cast Aluminum | 6 LED Boards 4 x LEDs Each |
| 2 Driver Enclosure - Cast Aluminum with Top Cover Plate | 7 Housing Assembly |
| 3 Enclosed LED Glass Frame and Heat Sink Assembly | 8 Cantilever Support Arm - Cast Aluminum |
| 4 Driver | 9 Mounting Plate |
| 5 Recessed 4" Octagon J-Box (By Others) | |