

Streamline 6032ZLED Mini Wall Arm Uplight Sconce

INTERIOR

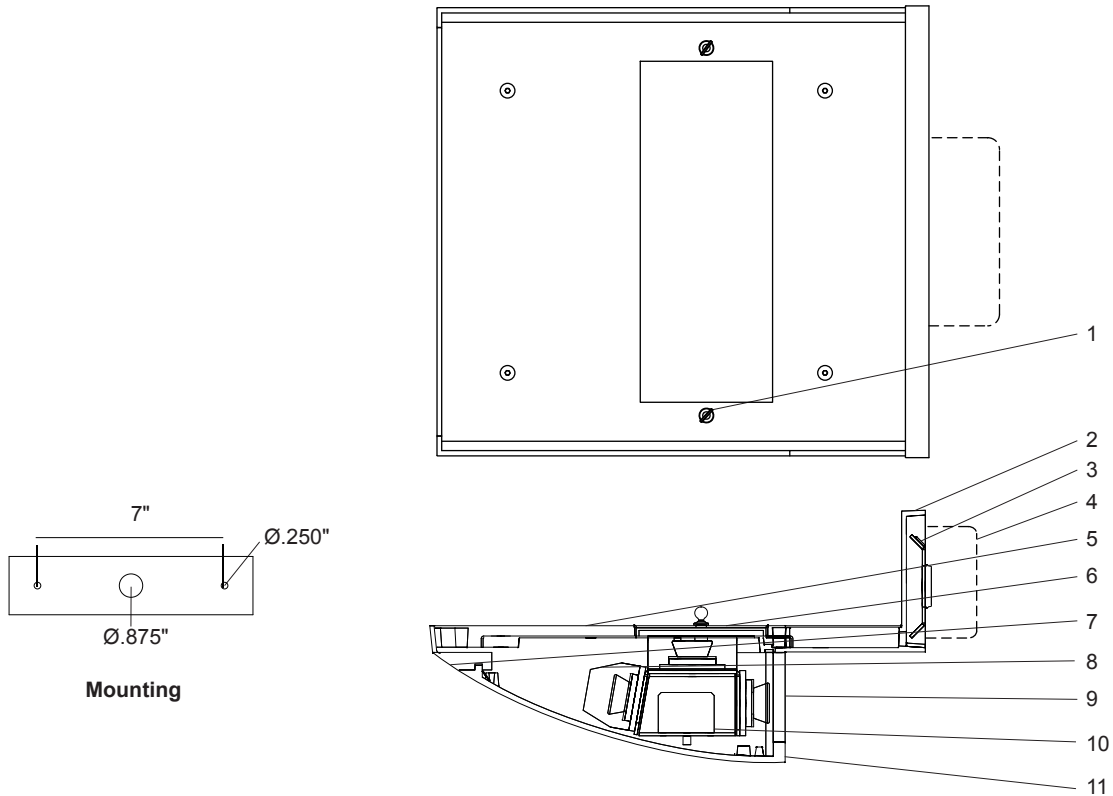
MODEL	LAMP	COLOR TEMPERATURE	VOLT	COLOUR
6032Z	10L 8 x 1.2w 285 lumens+	30 3000K	120* 277	WT <i>white texture</i> BT <i>black texture</i> SM <i>silver metallic</i> AN <i>aluminum natural</i> BZ <i>bronze</i> GM <i>gunmetal</i> WS <i>white satin</i> BM <i>black matte</i> RAL <i>specify no.</i>

*Standard configuration unless otherwise specified +absolute

SAMPLE CATALOG NUMBER: 6032Z - 10L - 30 - 120 - WT

Using this catalog number would order 1 model 6032Z mini wall arm uplight sconce with 10 watt LED at 3000K wired to 120 volts, painted white texture polyester powder coat.

CONSTRUCTION	MOUNTING	OPTICAL	PROTECTION
<p>Materials Housing: Pressure die cast aluminum. Light reveal: Frost acrylic. Lens: Prismatic glass - industrex.</p> <p>Electrical Components LED - 120 volt supply integral drive. Constant current LED board: Aluminum core with thermal interface heat sink.</p>	<p>The 6032ZLED is meant for wall surface mounting over a recessed FS box that is horizontally oriented.</p>	<p>The 6032ZLED luminaire provides uplight with a backplash of light behind unit on wall. An evenly lighted nose reveal provides a unique feature.</p>	<p>The 6032ZLED is listed for use in damp/dry locations to UL and CSA standards.</p>



Streamline Sconce 6032ZLED Detailed Product Description

- | | | | |
|---|---|----|---|
| 1 | Top Lens Locking Thumb Screws | 7 | Light Reveal Element - Machined Acrylic |
| 2 | Chassis - Die Cast Aluminum | 8 | LED Module with Spread Lens (3) |
| 3 | Mounting Plate | 9 | Rear Lens - Tempered Industrex Glass |
| 4 | Single Gang FS J-Box Recessed, Horizontal Mount (By Others) | 10 | Driver - Constant Current |
| 5 | Top Cover Plate | 11 | Housing - Die Cast Aluminum |
| 6 | Top Lens - Tempered Industrex Glass | | |

Detailed Module Description

Ratings are IESNA LM - 79 - 2008

Rebelle Architectural Lighting

Light output (lumens)	_____	313
Watts	_____	9.6
Lumens per watt (Efficacy)	_____	33
Color accuracy (CRI)	_____	90
Correlated color temperature (CCT)	_____	3000K

Lighting Facts

Registration Number	_____	K3AG-8LAWPQ
Model Number	_____	6032ZLED
Type	_____	Interior Wall Mount

Projected Life Date - based on LM - 80 data published by Philips Lumileds - Luxeon Rebel LEDs

Recommended Ambient Temperature Range - 40°C to +35°C

L70 = > 70,000 hours @ 35°C ambient.

Driver Case Temperature @ 35°C ambient, 78°C (Max. 90°C)