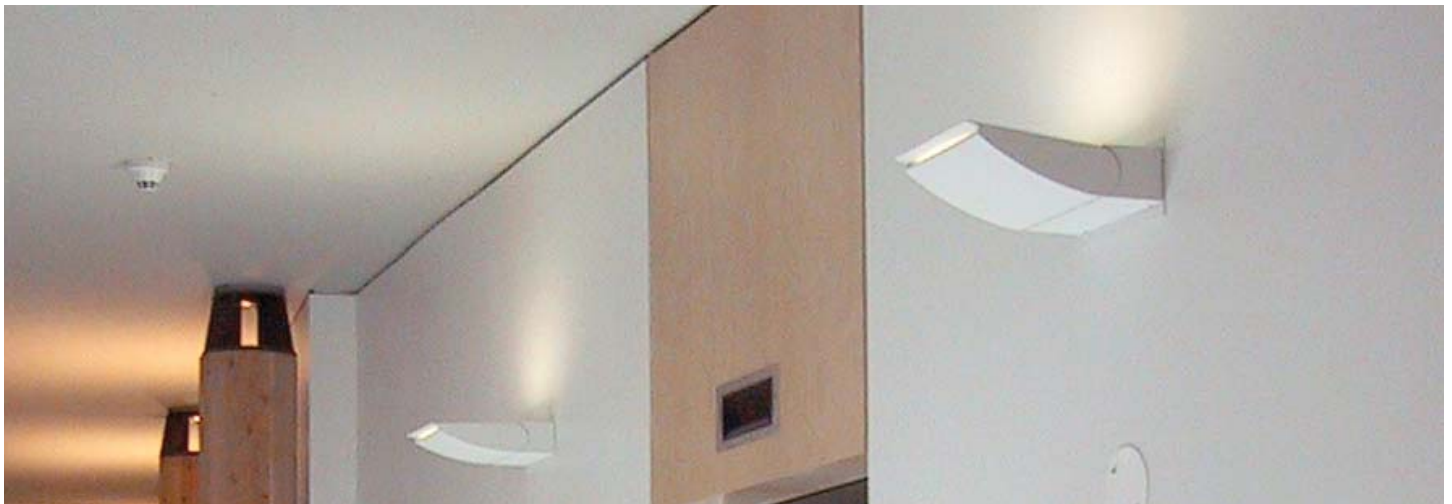
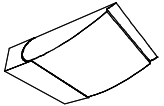
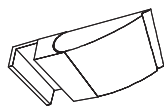
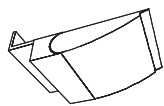
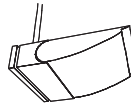
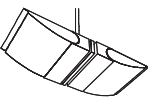
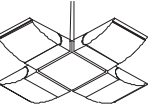
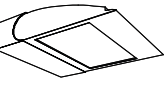
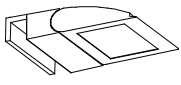
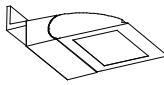

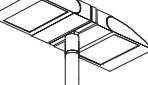


STREAMLINE

Indirect & Direct Luminaires
Technical Manual



 6002 / 6001 / 6000	 6011 / 6010 / 6009	 6008 / 6007 / 6006	 6014 / 6013	 6017 / 6016	 6023 / 6022
 6005 / 6004 / 6003	 6005U / 6004U / 6003U	 6005Z / 6004Z / 6003Z	 6019 / 6018	 6021 / 6020	



Maxi Twin Direct Post Top6021

LIGHTING CONCEPT

The Streamline family of architectural luminaires for exterior and interior applications are available in a variety of scales to suit every lighting condition requiring asymmetric lighting solutions. These fixtures are designed for ease of coordination throughout a project. A sensible design aesthetic complements architectural intent without overpowering it. A clean slim profile fixture allows these luminaires to be used as a feature fixture

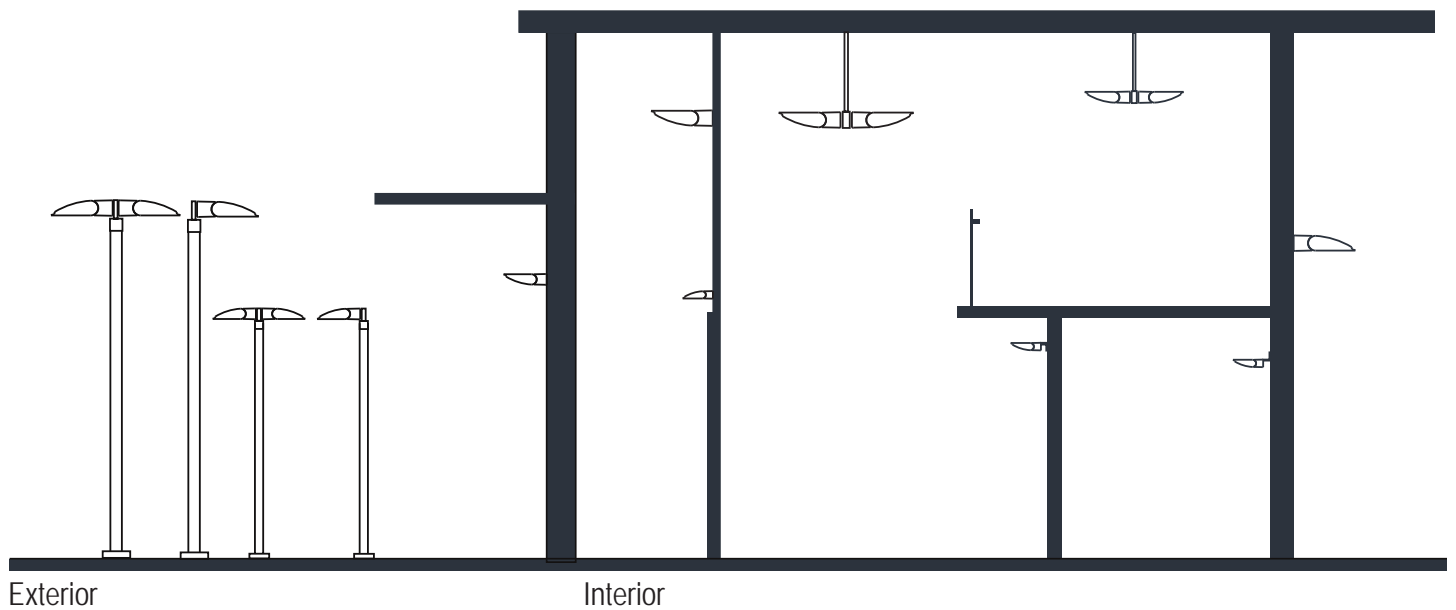
or blend quietly into the background. These cut-off luminaires are ideal for applications where light pollution is a concern. The Streamline family of luminaires is compliant with Dark Sky regulations, providing a fully controlled asymmetric forward throw distribution that eases certain problem areas.

STREAMLINE

INDIRECT & DIRECT LUMINAIRES

A VERSATILE SOLUTION IN
ASYMMETRIC ARCHITECTURAL LIGHTING

A family of asymmetric architectural luminaires for exterior and interior applications. Available in Indirect or Direct configurations to suit every condition requiring an asymmetric lighting solution. With a variety of scales, configurations and finishes available the possibilities are endless with this extensive family of architectural luminaires.



STREAMLINE

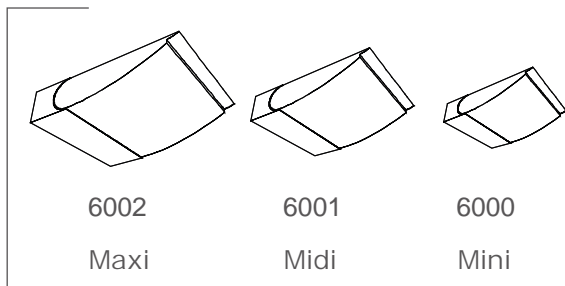
INDIRECT & DIRECT LUMINAIRES

THE STREAMLINE FAMILY

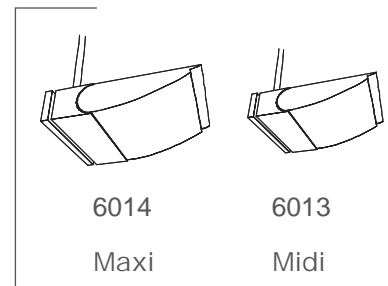
INDIRECT

The Indirect Streamline is optimized for forward throw ceiling wash applications - rooms that are wider than they are high. Three scales - Maxi, Midi and Mini are offered to suit a range of architectural spaces.

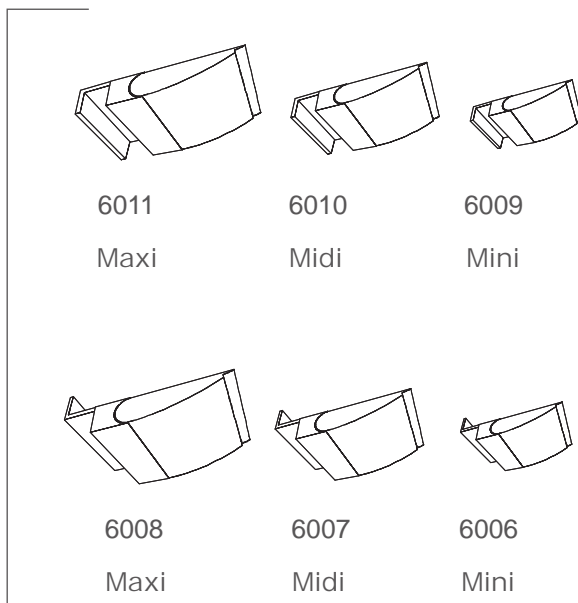
Wall Mount



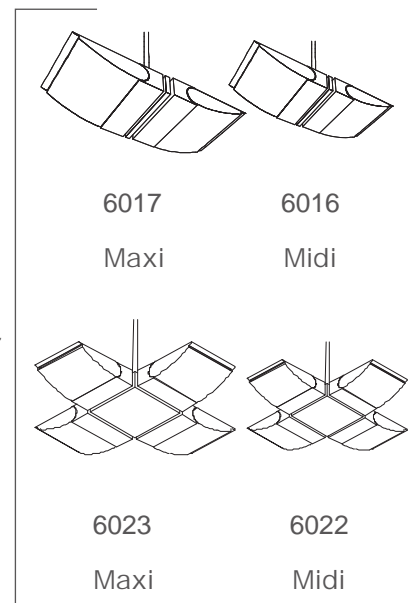
Pendant



Wall Arm Mount



Double Pendant

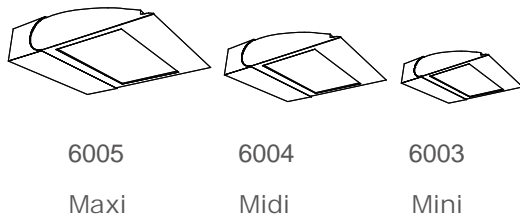


STREAMLINE

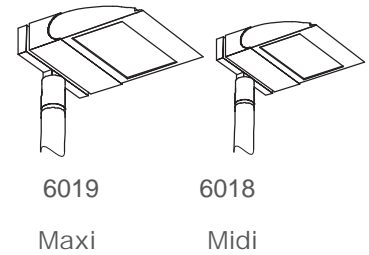
DIRECT

The Direct Streamline optical system provides a full cut-off classification in the 0° horizontal head position. The head position is adjustable upward and downward by 15° each way to facilitate other distributions depending on application requirements. Offered in Maxi scale units for streetscape applications, Midi for both streetscape and wall mount applications and Mini for wall mount configurations only.

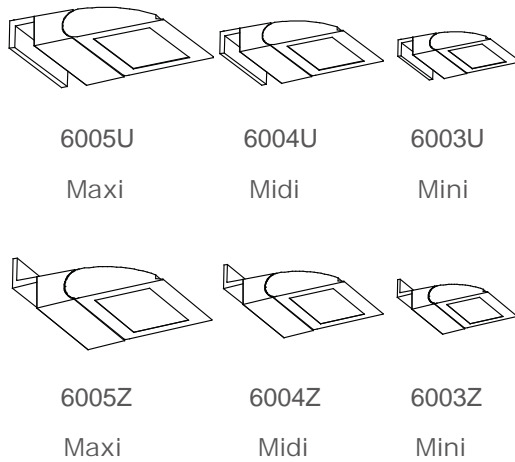
Wall Mount



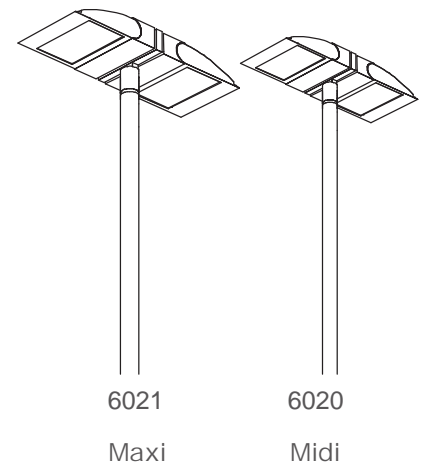
Post Top



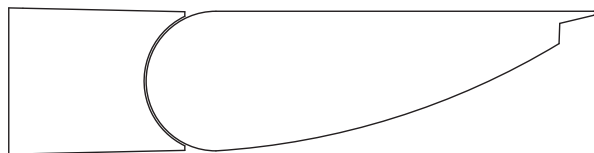
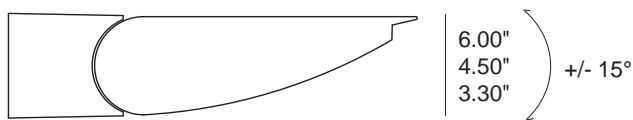
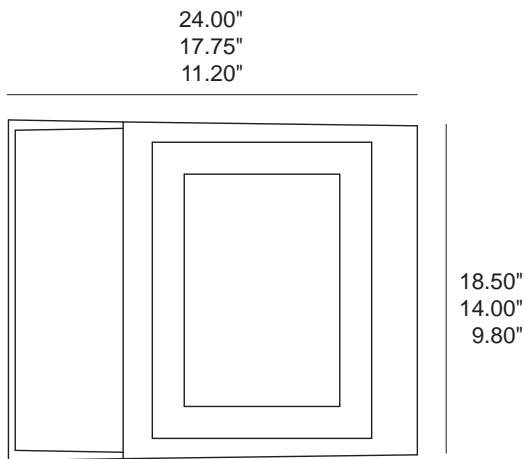
Wall Arm Mount



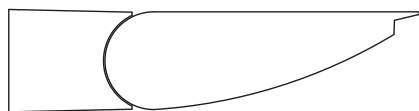
Double Post Top



STREAMLINE



Maxi



Midi



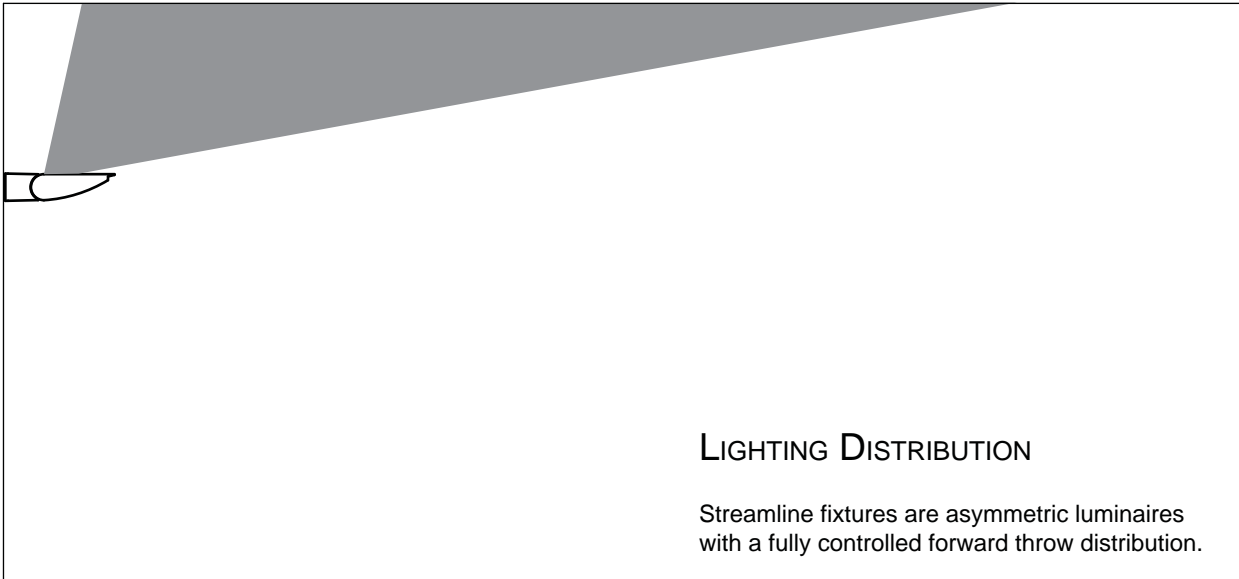
Mini

STREAMLINE FAMILY FEATURES

- Attractive shallow profile lighting fixtures available in three scales to suit a variety of architectural applications.
- Maxi being the largest scale size offered followed by Midi and finally Mini as the smallest option.
- A field adjustable articulating head, allowing for a +/- 15 degree adjustment.
- Integral driver compartment for ease of installation and maintenance.
- Wide variety of interior and exterior fixtures that can be used individually or as a group.

STREAMLINE

INDIRECT & DIRECT LUMINAIRES



Indirect Configuration

Lighting across a ceiling plane

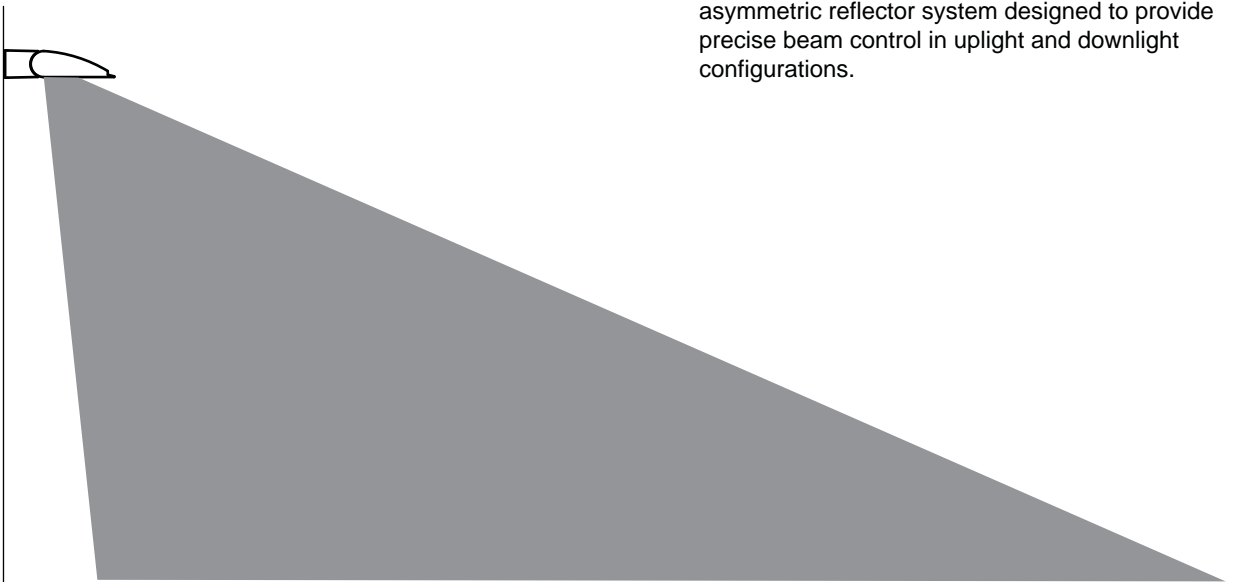
LIGHTING DISTRIBUTION

Streamline fixtures are asymmetric luminaires with a fully controlled forward throw distribution.

These types of fixtures are ideal for the even illumination of a parallel surface such as a ceiling or floor plane.

These fixtures are offered in uplight and downlight configurations to suit all types of asymmetric lighting needs.

Luminaire optics consist of a high reflectance asymmetric reflector system designed to provide precise beam control in uplight and downlight configurations.

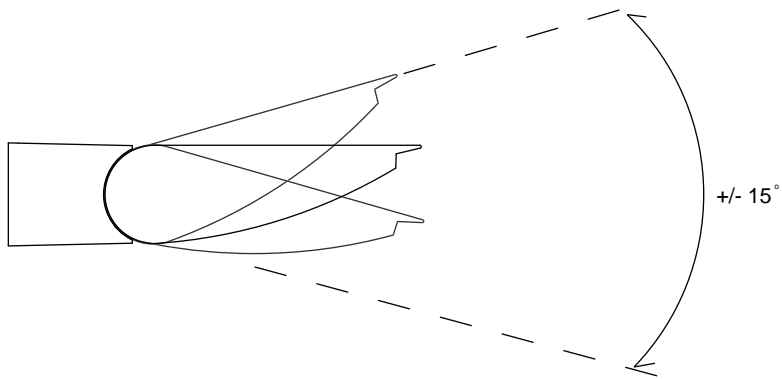


Direct Configuration

Lighting across a floor plane

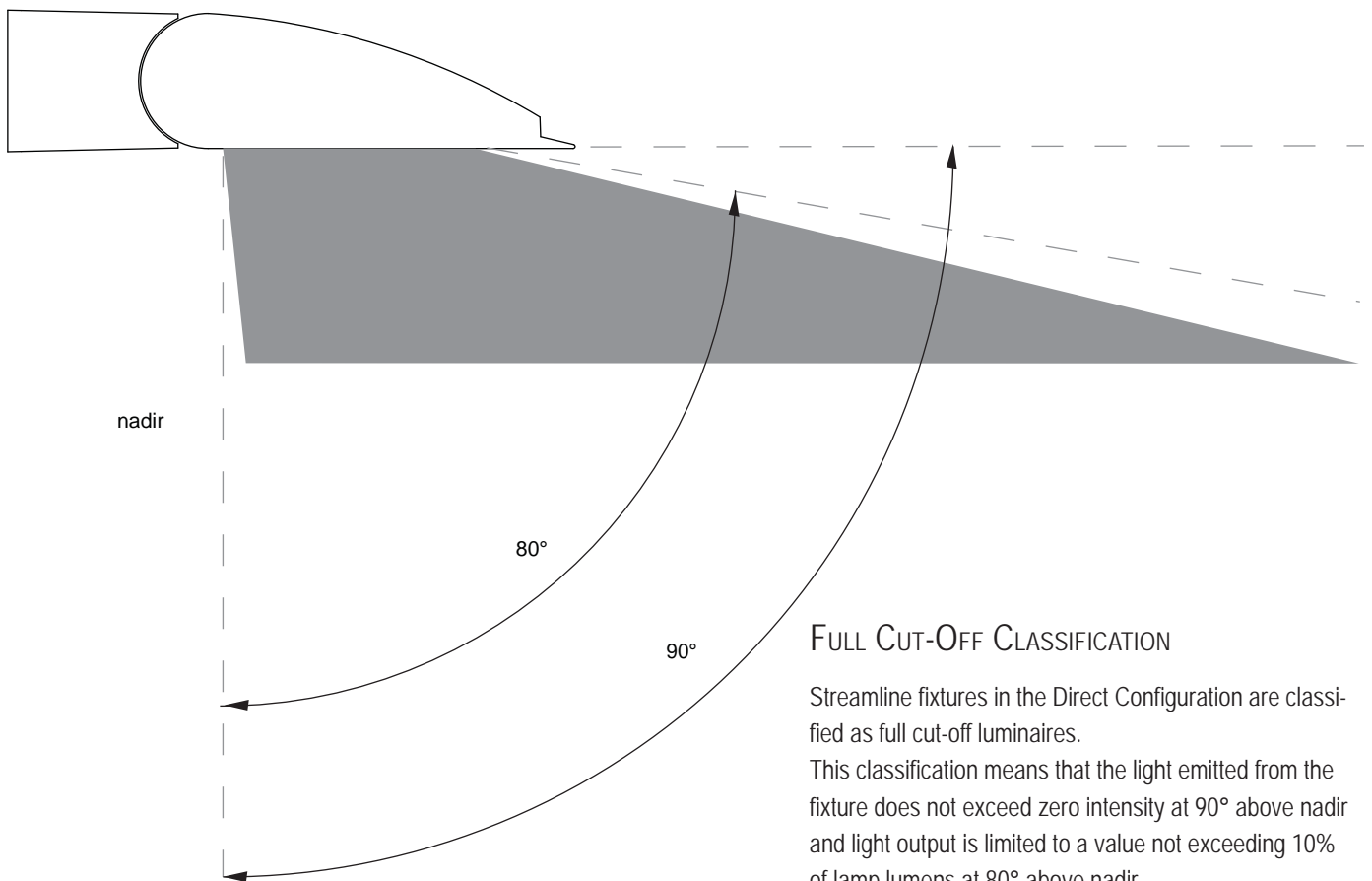
STREAMLINE

INDIRECT & DIRECT LUMINAIRES



Featuring a locking field adjustable articulating head, allowing for a ± 15 degree adjustment.

Full Cut-off Luminaire
Downlight configuration



FULL CUT-OFF CLASSIFICATION

Streamline fixtures in the Direct Configuration are classified as full cut-off luminaires.

This classification means that the light emitted from the fixture does not exceed zero intensity at 90° above nadir and light output is limited to a value not exceeding 10% of lamp lumens at 80° above nadir.

This type of fixture is also known as "fully shielded".

Full cut-off luminaires are ideal for applications where spill light onto adjacent property needs to be limited and to reduce glare.

STREAMLINE

MOUNTING CLASSIFICATIONS



Wall Mount - Indirect



Wall Mount - Direct



Wall Arm Mount - Indirect



Wall Arm Mount - Direct



Single Pendant - Indirect



Twin Pendant - Indirect



Single Post - Direct



Double Post - Direct

STREAMLINE

INDIRECT & DIRECT LUMINAIRES

PRODUCT FEATURE MATRIX



Maxi Indirect Twin Pendant 6017

Feature	Description
Construction	Marine Grade Corrosion-resistant Cast Aluminum
Multiple Scales	Maxi Midi Mini
Field Adjustable Head	yes, +/- 15 degree up or down
Integral Driver	Internal
Lamp Sources	LED
Maximum Wattage	Maxi - 200 Watt Midi - 134 Watt Mini - 32 Watt
Wet Location	Indirect - WL must be ordered. Direct - Yes
Configurations	Indirect - Wall, Wall Arm, Pendant Direct - Wall, Wall Arm, Post
Distributions	Indirect Asymmetric - forward throw Direct Version - Type II, III, IV and V (post top)
Paint Finish Type	Polyester Powder Coated
Colors Available	Silver Natural Aluminum Gunmetal Black White Bronze RAL colors available
Concealed Adjustment Hardware	yes
All Exposed Fasteners Stainless Steel	yes

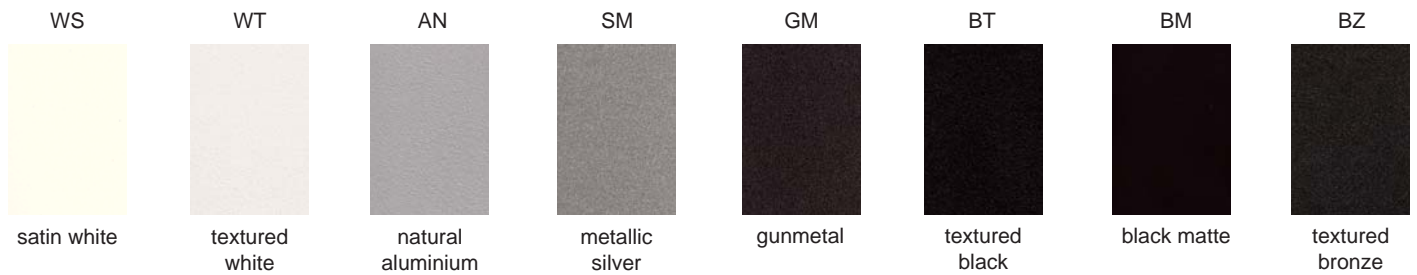
STREAMLINE

INDIRECT & DIRECT LUMINAIRE

PAINT FINISHES

Powder Coat Paint Eight Standard Colors

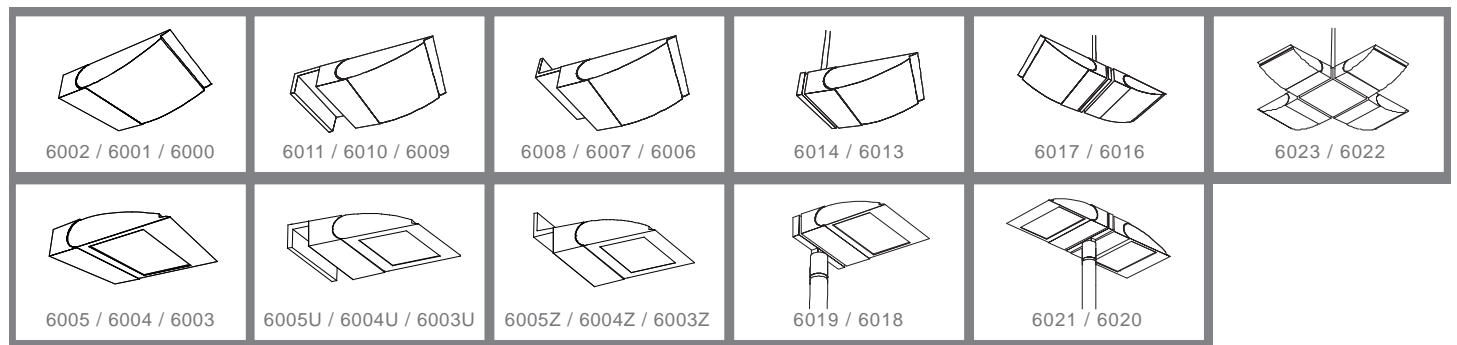
The colors shown below are available for all Rebelle products and are suitable for interior and exterior use. Other colors are available to match RAL standards, or to match a specific color sample. Both RAL and color match are premium priced color options.



Surface Preparation and Application Process

Rebelle's powder painting process utilizes only polyester powders to ensure durability and permanence in outdoor applications. The process follows a documented quality assurance procedure to ensure the longevity of the finish in the most rigorous climates. All of Rebelle's luminaires go through a five-stage chemical pre-treatment prior to paint application in order to remove all surface impurities. To allow for a consistent, even coating on parts, all heavy cast aluminum and

welded assemblies are shot blasted to near white specifications prior to the five stage pre-treatment process. Following pre-treatment, all parts are coated using an electrostatic process to allow for a consistent, even coating on parts. After coating, parts are then transferred to cure in a high temperature oven. Paint production samples are continually checked to ensure they adhere to strictly controlled quality standards.



STREAMLINE

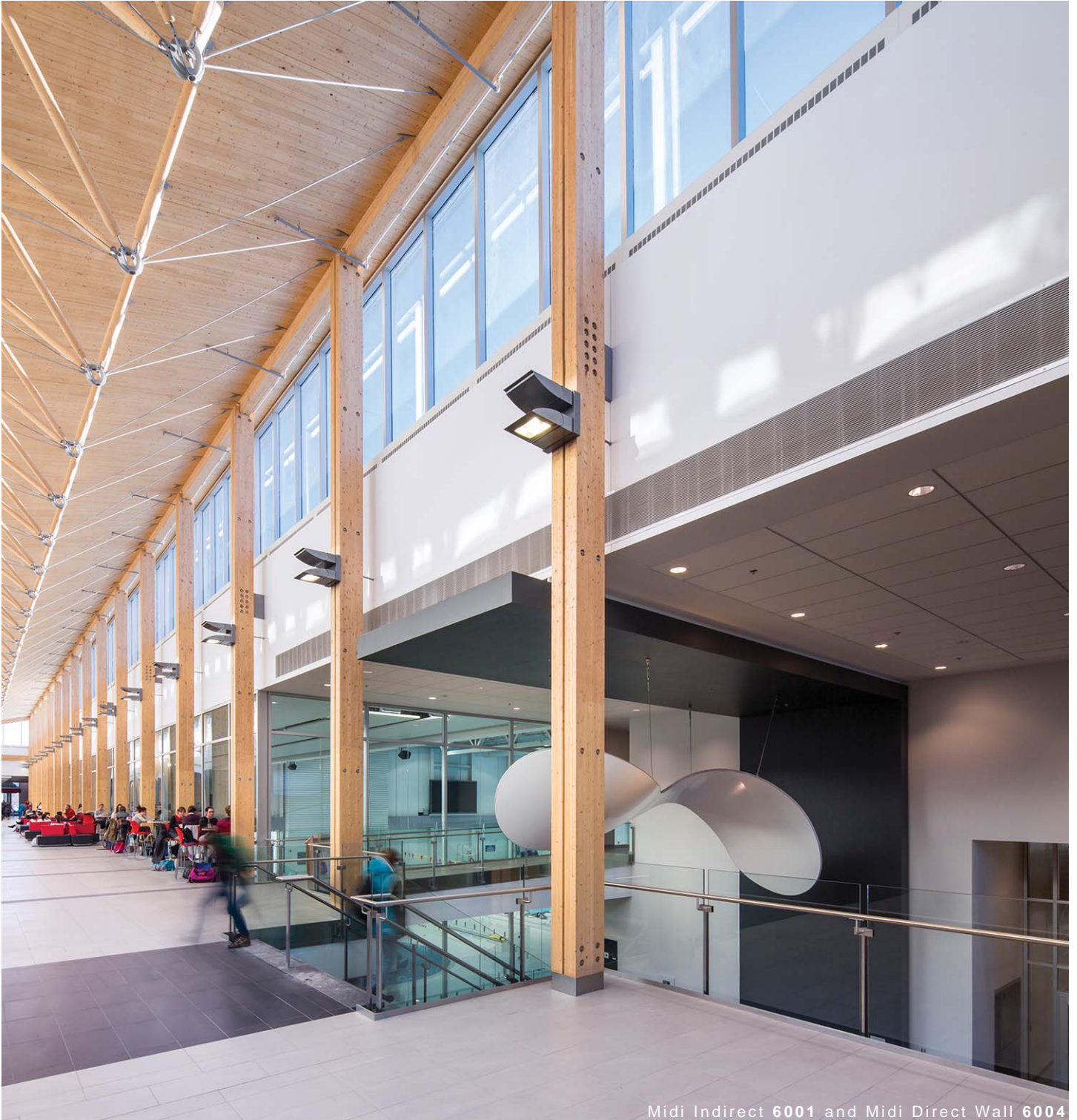
INDIRECT & DIRECT LUMINAIRES



Midi Direct Wall Mount 6004

STREAMLINE

INDIRECT & DIRECT LUMINAIRES



Midi Indirect 6001 and Midi Direct Wall 6004

STREAMLINE

INDIRECT & DIRECT LUMINAIRES

